

# DS90UB935-Q1 FPD-Link III 3-Gbps Serializer With CSI-2 Interface

## 1 Features

- AEC-Q100 qualified for automotive applications:
  - Device temperature :  $-40^{\circ}\text{C}$  to ambient operating temperature
- ISO 10605 and IEC 61000-4-2 ESD compliant
- Power-over-Coax (PoC) compatible transceiver
- 3-Gbps grade serializer supports high-speed sensors
- D-PHY v1.2 and CSI-2 v1.3 compliant system interface
  - Up to 2.528-Gbps CSI-2 Bandwidth
  - Supports up to four virtual channels
- Precision multi-camera clocking and synchronization
- Flexible programmable output clock generator
- Advanced data protection and diagnostics including CRC data protection, sensor data integrity check, I2C write protection, voltage and temperature measurement, programmable alarm, and line fault detection
- Supports Single-ended coaxial or shielded-twisted-pair (STP) cable
- Ultra-low latency bidirectional I2C and GPIO control channel enables ISP control from ECU
- Single 1.8-V power supply
- Low (0.25 W typical) power consumption
- [Functional Safety-Capable](#)
  - Documentation available to aid ISO 26262 system design
- Compatible With DS90UB936-Q1, DS90UB954-Q1, DS90UB960-Q1, DS90UB934-Q1, DS90UB914A-Q1 Deserializers
- Wide temperature range:  $-40^{\circ}\text{C}$  to  $105^{\circ}\text{C}$
- Small 5-mm × 5-mm VQFN package and PoC solution size for compact camera module designs

## 2 Applications

- Advanced driver assistance systems (ADAS)
  - Surround View Systems (SVS)
  - Camera Monitor Systems (CMS)
  - Forward Vision Cameras (FC)
  - Driver Monitoring Systems (DMS)
  - Rear-View Cameras (RVC)
  - Automotive Satellite RADAR & LIDAR Modules
  - Time-of-Flight (ToF) Sensors
- Security and Surveillance Cameras
- Industrial and Medical Imaging

## 3 Description

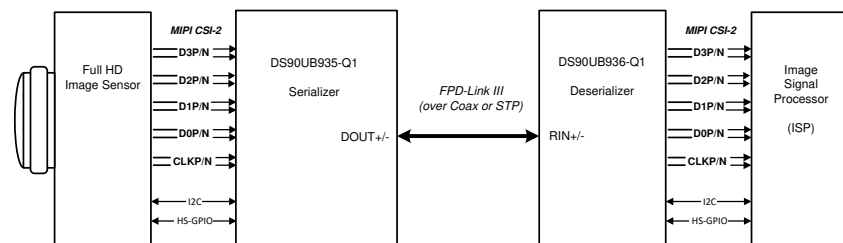
The DS90UB935-Q1 serializer is part of TI's FPD-Link III device family designed to support high-speed raw data sensors including cameras, satellite RADAR, LIDAR, and Time-of-Flight (ToF) sensors. The chip delivers a high-speed forward channel and an ultra-low latency, bidirectional control channel and supports power over a single coax (PoC) or STP cable. The DS90UB935-Q1 features advanced data protection and diagnostic features to support ADAS and autonomous driving. Together with a companion deserializer, the DS90UB935-Q1 delivers precise multi-camera sensor clock and sensor synchronization.

The DS90UB935-Q1 is fully AEC-Q100 qualified with a  $-40^{\circ}\text{C}$  to  $105^{\circ}\text{C}$  wide temperature range. AECQ100 qualification includes HBM ESD Classification Level 3A and CDM ESD Classification Level C6. The serializer comes in a small 5-mm × 5-mm VQFN package for space-constrained sensor applications.

### Device Information (1)

PART NUMBER	PACKAGE	BODY SIZE (NOM)
DS90UB935-Q1	VQFN (32)	5.00 mm × 5.00 mm

- (1) For all available packages, see the orderable addendum at the end of the data sheet.



**Typical Application**



## Table of Contents

<b>1 Features</b> .....	1	7.6 Pattern Generation.....	26
<b>2 Applications</b> .....	1	7.7 Register Maps.....	30
<b>3 Description</b> .....	1	<b>8 Application and Implementation</b> .....	64
<b>4 Revision History</b> .....	2	8.1 Application Information.....	64
<b>5 Pin Configuration and Functions</b> .....	3	8.2 Typical Applications.....	67
Pin Functions.....	3	<b>9 Power Supply Recommendations</b> .....	71
<b>6 Specifications</b> .....	5	9.1 Power-Up Sequencing.....	71
6.1 Absolute Maximum Ratings.....	5	9.2 Power Down (PDB).....	72
6.2 ESD Ratings.....	5	<b>10 Layout</b> .....	73
6.3 Recommended Operating Conditions.....	5	10.1 Layout Guidelines.....	73
6.4 Thermal Information.....	6	10.2 Layout Examples.....	74
6.5 Electrical Characteristics.....	7	<b>11 Device and Documentation Support</b> .....	76
6.6 Recommended Timing for the Serial Control Bus.....	11	11.1 Device Support.....	76
6.7 Timing Diagrams.....	12	11.2 Documentation Support.....	76
6.8 Typical Characteristics.....	12	11.3 Receiving Notification of Documentation Updates..	76
<b>7 Detailed Description</b> .....	13	11.4 Support Resources.....	76
7.1 Overview.....	13	11.5 Trademarks.....	76
7.2 Functional Block Diagram.....	13	11.6 Electrostatic Discharge Caution.....	76
7.3 Feature Description.....	14	11.7 Glossary.....	76
7.4 Device Functional Modes.....	20	<b>12 Mechanical, Packaging, and Orderable Information</b> .....	77
7.5 Programming.....	24		

## 4 Revision History

Changes from Revision * (July 2018) to Revision A (October 2020)	Page
• Added feature bullet Functional Safety Capable.....	1

## 5 Pin Configuration and Functions

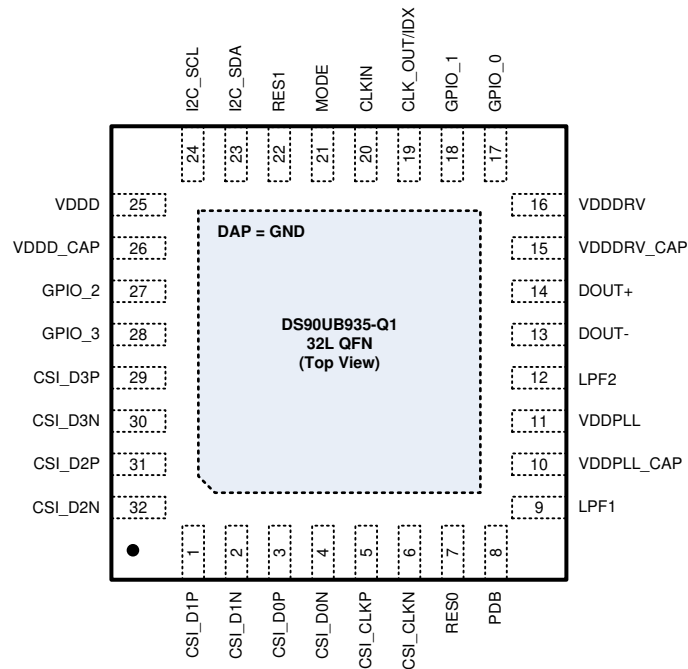


Figure 5-1. RHB Package 32-Pin VQFN Top View

## Pin Functions

PIN		I/O	DESCRIPTION
NAME	NO.		
<b>CSI INTERFACE</b>			
CSI_CLKP	5	I, DPHY	CSI-2 clock input pins. Connect to a CSI-2 clock source with matched 100-Ω (±5%) impedance interconnects.
CSI_CLKN	6	I, DPHY	
CSI_D0P	3	I, DPHY	CSI-2 data input pins. Connect to a CSI-2 data sources with matched 100-Ω (±5%) impedance interconnects. If unused, these pins may be left floating.
CSI_D0N	4	I, DPHY	
CSI_D1P	1	I, DPHY	
CSI_D1N	2	I, DPHY	
CSI_D2P	31	I, DPHY	
CSI_D2N	32	I, DPHY	
CSI_D3P	29	I, DPHY	
CSI_D3N	30	I, DPHY	
<b>SERIAL CONTROL INTERFACE</b>			
I2C_SDA	23	OD	I2C Data and Clock Pins. Typically pulled up by 470-Ω to 4.7-kΩ resistors to either 1.8-V or 3.3-V supply rail depending on IDX setting. See <a href="#">I2C Interface Configuration</a> for further details on the I2C implementation of the DS90UB935-Q1.
I2C_SCL	24	OD	
<b>CONFIGURATION and CONTROL</b>			
RES0	7	I	Reserved pin – Connect to GND
RES1	22	I	Reserved pin – Do not connect (leave floating)
PDB	8	I, PD	Power-down inverted Input Pin. Internal 1-MΩ pulldown. Typically connected to processor GPIO with pull down. When PDB input is brought HIGH, the device is enabled and internal register and state machines are reset to default values. Asserting PDB signal low will power down the device and consume minimum power. The default function of this pin is PDB = LOW; POWER DOWN. PDB should remain low until after power supplies are applied and reach minimum required levels. See <a href="#">Power Down (PDB)</a> for further details on the function of PDB. <b>PDB INPUT IS NOT 3.3-V TOLERANT.</b> PDB = 1.8 V, device is enabled (normal operation) PDB = 0, device is powered down.

PIN		I/O	DESCRIPTION
NAME	NO.		
MODE	21	I, S	Mode select configuration input. Default operational mode will be strapped at start-up based on the MODE input voltage when PDB transitions LOW to HIGH. Typically connected to voltage divider through external pullup to VDD18 and pulldown to GND applying an appropriate bias voltage. See <a href="#">MODE</a> for details.
CLK_OUT/IDX	19	I/O, S	IDX pin sets the I2C pullup voltage and device address; connect to external pullup to VDD and pulldown to GND to create a voltage divider. When PDB transitions LOW to HIGH, the strap input voltage is sensed at the CLOCK_OUT/IDX pin to determine functionality and then converted to CLK_OUT. See <a href="#">I2C Interface Configuration</a> for details. If CLK_OUT is used, the minimum resistance on the pin is 35 kΩ. If unused, CLK_OUT/IDX may be tied to GND.
<b>FPD-LINK III INTERFACE</b>			
DOU-	13	I/O	FPD-Link III Input/Output pins. These pins must be AC-coupled. See <a href="#">Figure 8-5</a> and <a href="#">Figure 8-6</a> for typical connection diagrams and <a href="#">Table 8-3</a> for recommended capacitor values.
DOU+	14	I/O	
<b>POWER AND GROUND</b>			
VDDD_CAP	26	D, P	A connection for an internal analog regulator decoupling capacitor. Typically connected to 10-μF, 0.1-μF, and 0.01-μF capacitors to GND. Do not connect to an external supply rail. See <a href="#">Typical Application</a> for more details.
VDDDRV_CAP	15	D, P	A connection for an internal analog regulator decoupling capacitor. Typically connected to 10-μF, 0.1-μF, and 0.01-μF capacitors to GND. Do not connect to an external supply rail. See <a href="#">Typical Application</a> for more details.
VDDPLL_CAP	10	D, P	A connection for an internal analog regulator decoupling capacitor. Typically connected to 10-μF, 0.1-μF, and 0.01-μF capacitors to GND. Do not connect to an external supply rail. See <a href="#">Typical Application</a> for more details.
VDDD	25	P	1.8-V (±5%) Power Supply pin. Typically connected to 1-μF and 0.01-μF capacitors to GND.
VDDDRV	16	P	1.8-V (±5%) Analog Power Supply pin. Typically connected to 1-μF and 0.01-μF capacitors to GND.
VDDPLL	11	P	1.8-V (±5%) Analog Power Supply pin. Typically connected to 1-μF and 0.01-μF capacitors to GND.
GND	DAP	G	DAP is the large metal contact at the bottom side, located at the center of the VQFN package. Connect to the ground plane (GND).
<b>LOOP FILTER</b>			
LPF1	9	P	Loop Filter 1: Connect as described in <a href="#">Section 8.2.2.4</a> .
LPF2	12	P	Loop Filter 2: Connect as described in <a href="#">Section 8.2.2.4</a> .
<b>CLOCK INTERFACE AND GPIO</b>			
GPIO_0	17	I/O, PD	General-Purpose Input/Output pins. These pins can also be configured to sense the voltage at their inputs. See <a href="#">Voltage and Temperature Sensing</a> . At power up, these GPIO pins default to inputs with a 300-kΩ (typical) internal pulldown resistor. These pins may be left floating if unused, but TI recommends to set the GPIOx_INPUT_EN to 0 to disable the pins. See <a href="#">Section 7.3.6</a> for programmability.
GPIO_1	18	I/O, PD	
GPIO_2	27	I/O, PD	
GPIO_3	28	I/O, PD	
CLKIN	20	I	Reference Clock Input pin. If operating in non-sync external clock mode, connect this pin to a local clock source. If unused (like other clocking modes), this pin may be left open. See <a href="#">Table 7-6</a> for more information on clocking modes.

## 6 Specifications

### 6.1 Absolute Maximum Ratings

over operating free-air temperature range (unless otherwise noted)<sup>(1)</sup>

	PIN OR FREQUENCY	MIN	MAX	UNIT
Supply voltage, VDD	VDDD, VDDDRV, VDDPLL	-0.3	2.16	V
Input voltage	GPIO[3:0], PDB, CLKIN, IDX, MODE, CSI_CLKP/N, CSI_D0P/N, CSI_D1P/N, CSI_D2P/N, CSI_D3P/N	-0.3	V <sub>DD</sub> + 0.3	V
FPD-Link III output voltage	DOUT+, DOUT-	-0.3	1.21	V
Open-drain voltage	I2C_SDA, I2C_SCL	-0.3	3.96	V
Junction temperature, T <sub>J</sub>			150	°C
Storage temperature, T <sub>stg</sub>		-65	150	°C

- (1) Stresses beyond those listed under *Absolute Maximum Ratings* may cause permanent damage to the device. These are stress ratings only, which do not imply functional operation of the device at these or any other conditions beyond those indicated under *Recommended Operating Conditions*. Exposure to absolute-maximum-rated conditions for extended periods may affect device reliability.

### 6.2 ESD Ratings

			VALUE	UNIT	
V <sub>(ESD)</sub>	Electrostatic discharge	Human body model (HBM) ESD Classification Level 3A, per AEC Q100-002 (1)	All pins except Media Dependent Interface Pins	±4000	V
			Media Dependent Interface Pins		
		Charged-device model (CDM) ESD Classification Level C6, per AEC Q100-011		±1500	V
		IEC 61000-4-2 R <sub>D</sub> = 330 Ω, C <sub>S</sub> = 150 pF	Contact Discharge (DOUT+ and DOUT-)	±8000	V
			Air Discharge (DOUT+ and DOUT-)	±18000	V
		ISO 10605 R <sub>D</sub> = 330 Ω, C <sub>S</sub> = 150 pF and 330 pF R <sub>D</sub> = 2 kΩ, C <sub>S</sub> = 150 pF and 330 pF	Contact Discharge (DOUT+ and DOUT-)	±8000	V
Air Discharge (DOUT+ and DOUT-)	±18000		V		

### 6.3 Recommended Operating Conditions

Over operating free-air temperature range (unless otherwise noted)

		MIN	NOM	MAX	UNIT
Supply voltage	VDD (VDDD, VDDDRV, VDDPLL)	1.71	1.8	1.89	V
Open-drain voltage	I2C_SDA, I2C_SCL = V <sub>(I2C)</sub>	1.71		3.6	V
Operating free-air temperature (T <sub>A</sub> )		-40	25		°C
Mipi data rate (per CSI-2 lane)		80		832	Mbps
Mipi combined data rate				2.5	Gbps

## Over operating free-air temperature range (unless otherwise noted)

		MIN	NOM	MAX	UNIT
Reference clock input frequency		25		104	MHz
Local I <sup>2</sup> C frequency (f <sub>I2C</sub> )				1	MHz
Supply noise	VDD (VDDD, VDDDRV, VDDPLL)			25	mV <sub>p-p</sub>
Differential supply noise between DOUT+ and DOUT- (PSR)	f = 10 KHz - 50 MHz (coax mode only)			25	mV <sub>p-p</sub>
	f = 30 Hz, 10-90% Rise/Fall Time > 100µs (coax mode only)			25	mV <sub>p-p</sub>
Input clock jitter for non synchronous mode (t <sub>JIT</sub> )	CLKIN			0.05	UI_CLK_I N <sup>(2)</sup>
Back channel input jitter (t <sub>JIT-BC</sub> )	DOUT+, DOUT-			0.4	UI_BC <sup>(1)</sup>

- (1) The back channel unit interval (UI\_BC) is 1/(BC line-rate). For example, the typical UI\_BC is 1/100 MHz = 10 ns. If the jitter tolerance is 0.4 UI, convert the jitter in UI to seconds using this equation: 10 ns × 0.4 UI = 4 ns
- (2) Non-synchronous mode - For a given clock, the UI is defined as 1/clock\_freq. For example when the clock = 50Mhz, the typical UI\_CLK\_IN is 1/50 MHz = 20 ns.

## 6.4 Thermal Information

THERMAL METRIC <sup>(1)</sup>		RHB (VQFN)	UNIT
		32 PINS	
R <sub>θJA</sub>	Junction-to-ambient thermal resistance	31.5	°C/W
R <sub>θJB</sub>	Junction-to-board thermal resistance	10.9	°C/W
R <sub>θJC(top)</sub>	Junction-to-case (top) thermal resistance	20	°C/W
R <sub>θJC(bot)</sub>	Junction-to-case (bottom) thermal resistance	1	°C/W
Ψ <sub>JT</sub>	Junction-to-top characterization parameter	0.2	°C/W
Ψ <sub>JB</sub>	Junction-to-board characterization parameter	10.9	°C/W

- (1) For more information about traditional and new thermal metrics, see the [Semiconductor and IC Package Thermal Metrics](#) application report, SPRA953.

## 6.5 Electrical Characteristics

Over recommended operating supply and temperature ranges unless otherwise specified.

PARAMETER		TEST CONDITIONS	PIN OR FREQUENCY	MIN	TYP	MAX	UNIT
<b>POWER CONSUMPTION</b>							
$I_{DD\_TOTAL}$	Supply current	4 Lane Mode, Checkerboard Pattern	VDDPLL, VDDD, VDDDRV		160	225	mA
$I_{DDPLL}$			VDDPLL		55	80	
$I_{DDD}$			VDDD		45	70	
$I_{DDDRV}$			VDDDRV		60	75	
<b>1.8-V LVCMOS I/O (VDD) = 1.71 V to 1.89 V)</b>							
$V_{OH}$	High level output voltage	$I_{OH} = -4$ mA	GPIO[3:0], CLK_OUT	$V_{(VDD)} - 0.45$		$V_{(VDD)}$	V
$V_{OL}$	Low level output voltage	$I_{OL} = +4$ mA	GPIO[3:0], CLK_OUT	GND		0.45	V
$V_{IH}$	High level input voltage		GPIO[3:0], PDB, CLKIN	$V_{(VDD)} \times 0.65$		$V_{(VDD)}$	V
$V_{IL}$	Low level input voltage		GPIO[3:0], PDB, CLKIN	GND		$V_{(VDD)} \times 0.35$	V
$I_{IH}$	Input high current	$V_{IN} = V_{(VDD)}$	GPIO[3:0], PDB, CLKIN			20	$\mu$ A
$I_{IL}$	Input low current	$V_{IN} = GND$	GPIO[3:0], PDB, CLKIN	-20			$\mu$ A
$I_{OS}$	Output short-circuit current	$V_{OUT} = 0$ V			-36		mA
$I_{OZ}$	TRI-STATE output current	$V_{OUT} = V_{(VDD)}$ , $V_{OUT} = GND$	GPIO[3:0], CLK_OUT			$\pm 20$	$\mu$ A
$C_{IN}$	Input capacitance				5		pF

Over recommended operating supply and temperature ranges unless otherwise specified.

PARAMETER		TEST CONDITIONS	PIN OR FREQUENCY	MIN	TYP	MAX	UNIT
<b>FPD-LINK III INPUT/OUTPUT</b>							
$V_{IN-BC}$	Single-ended input voltage	Coaxial configuration, 50 $\Omega$ , maximum cable length	DOUT+, DOUT-	120			mV
$V_{ID-BC}$	Differential input voltage	STP configuration, 100 $\Omega$ , maximum cable length	DOUT+, DOUT-	240			
$E_{H-FC}$	Forward channel eye height	Coaxial configuration, FPD-Link forward channel = 4.16 Gbps	DOUT+, DOUT-		425		mVp-p
		STP configuration, FPD-Link forward channel = 4.16 Gbps	DOUT+, DOUT-		850		
$t_{TR-FC}$	Forward channel output transition time	FPD-Link forward channel = 4.16Gbps; 20% to 80%	DOUT+, DOUT-		65		ps
$t_{JIT-FC}$	Forward channel output jitter	Synchronous mode, measured with f/15 – 3dB CDR Loop BW	DOUT+, DOUT-		0.21		UI
		Non-synchronous mode, measured with f/15 – 3dB CDR Loop BW	DOUT+, DOUT-		0.22		
$f_{REF}$	Internal reference frequency	Non-synchronous internal clocking mode		24.2		25.5	MHz
<b>FPD-LINK III DRIVER SPECIFICATIONS (DIFFERENTIAL)</b>							
$V_{ODP-P}$	Output differential voltage	$R_L = 100 \Omega$	DOUT+, DOUT-	1040	1150	1340	mV <sub>p-p</sub>
$\Delta V_{OD}$	Output voltage imbalance		DOUT+, DOUT-		5	24	mV
$V_{OS}$	Output differential offset voltage		DOUT+, DOUT-		575		mV
$\Delta V_{OS}$	Offset voltage imbalance		DOUT+, DOUT-		2		mV
$I_{OS}$	Output short-circuit current	DOUT = 0 V	DOUT+, DOUT-		-22		mA
$R_T$	Internal termination resistance	Between DOUT+ and DOUT-	DOUT+, DOUT-	80	100	120	$\Omega$
<b>FPD-LINK III DRIVER SPECIFICATIONS (SINGLE-ENDED)</b>							
$V_{OUT}$	Output single-ended voltage	$R_L = 50 \Omega$	DOUT+, DOUT-	520	575	670	mV <sub>p-p</sub>
$I_{OS}$	Output short-circuit current	DOUT = 0 V	DOUT+, DOUT-		-22		mA
$R_T$	Single-ended termination resistance		DOUT+, DOUT-	40	50	60	$\Omega$
<b>VOLTAGE AND TEMPERATURE SENSING</b>							
$V_{ACC}$	Voltage accuracy	See <a href="#">Voltage and Temperature Sensing</a>	GPIO[1:0]		$\pm 1$		LSB
$T_{ACC}$	Temperature accuracy	See <a href="#">Voltage and Temperature Sensing</a>			$\pm 1$		LSB



Over recommended operating supply and temperature ranges unless otherwise specified.

PARAMETER	TEST CONDITIONS	PIN OR FREQUENCY	MIN	TYP	MAX	UNIT
<b>CSI-2 HS INTERFACE DC SPECIFICATIONS</b>						
$V_{CMRX(DC)}$	Common-mode voltage HS receive mode	CSI_D3P/N, CSI_D2P/N, CSI_D1P/N, CSI_D0P/N, CSI_CLKP/N	70		330	mV
$V_{IDTH}$	Differential input high threshold	CSI_D3P/N, CSI_D2P/N, CSI_D1P/N, CSI_D0P/N, CSI_CLKP/N			70	mV
$V_{IDTL}$	Differential input low threshold	CSI_D3P/N, CSI_D2P/N, CSI_D1P/N, CSI_D0P/N, CSI_CLKP/N	-70			mV
$Z_{ID}$	Differential input impedance	CSI_D3P/N, CSI_D2P/N, CSI_D1P/N, CSI_D0P/N, CSI_CLKP/N	80	100	125	$\Omega$
<b>CSI-2 HS INTERFACE AC SPECIFICATIONS</b>						
$t_{HOLD}$	Data to clock setup time	CSI_D3P/N, CSI_D2P/N, CSI_D1P/N, CSI_D0P/N, CSI_CLKP/N	0.15			UI
$t_{SETUP}$	Data to clock hold time	CSI_D3P/N, CSI_D2P/N, CSI_D1P/N, CSI_D0P/N, CSI_CLKP/N	0.15			UI
<b>CSI-2 LP INTERFACE DC SPECIFICATIONS</b>						
$V_{IH}$	Logic high input voltage	CSI_D3P/N, CSI_D2P/N, CSI_D1P/N, CSI_D0P/N, CSI_CLKP/N	880	790		mV
$V_{IL}$	Logic low input voltage	CSI_D3P/N, CSI_D2P/N, CSI_D1P/N, CSI_D0P/N, CSI_CLKP/N		710	550	mV
$V_{HYST}$	Input hysteresis	CSI_D3P/N, CSI_D2P/N, CSI_D1P/N, CSI_D0P/N, CSI_CLKP/N	25	75		mV

Over recommended operating supply and temperature ranges unless otherwise specified.

PARAMETER	TEST CONDITIONS	PIN OR FREQUENCY	MIN	TYP	MAX	UNIT
<b>LVC MOS I/O</b>						
$t_{CLH}$	LVC MOS low-to-high transition time	$V_{(VDD)} = 1.71$ to $1.89$ V		2		ns
$t_{CHL}$	LVC MOS high-to-low transition time	$V_{(VDD)} = 1.71$ to $1.89$ V		2		ns
$t_{PDB}$	PDB reset pulse width	Voltage supplies applied and stable		3		ms
<b>SERIAL CONTROL BUS</b>						
$V_{IH}$	Input high level	I2C_SCL, I2C_SDA	$0.7 \times V_{(I2C)}$		$V_{(I2C)}$	mV
$V_{IL}$	Input low level	I2C_SCL, I2C_SDA	GND		$0.3 \times V_{(I2C)}$	mV
$V_{HY}$	Input hysteresis	I2C_SCL, I2C_SDA		>50		mV
$V_{OL}$	Output low level	$V_{(I2C)} < 2$ V, $I_{OL} = 3$ mA, Standard-mode/ Fast-mode	I2C_SCL, I2C_SDA	0	$0.2 \times V_{(I2C)}$	V
		$V_{(I2C)} < 2$ V, $I_{OL} = 20$ mA, Fast-mode plus	I2C_SCL, I2C_SDA	0	$0.2 \times V_{(I2C)}$	V
		$V_{(I2C)} > 2$ V, $I_{OL} = 3$ mA, Standard-mode/ Fast-mode	I2C_SCL, I2C_SDA	0	0.4	V
		$V_{(I2C)} > 2$ V, $I_{OL} = 20$ mA, Fast-mode plus	I2C_SCL, I2C_SDA	0	0.4	V
$I_{IH}$	Input high current	$V_{IN} = V_{(I2C)}$	I2C_SCL, I2C_SDA	-10	10	$\mu$ A
$I_{IL}$	Input low current	$V_{IN} = 0$ V	I2C_SCL, I2C_SDA	-10	10	$\mu$ A
$I_{IL}$	Input low current	$V_{IN} = 0$ V	I2C_SCL, I2C_SDA	-10	10	$\mu$ A
$C_{IN}$	Input capacitance		I2C_SCL, I2C_SDA	5		pf

## 6.6 Recommended Timing for the Serial Control Bus

Over I<sup>2</sup>C supply and temperature ranges unless otherwise specified.

		MIN	TYP	MAX	UNIT
f <sub>SCL</sub>	SCL Clock Frequency	Standard-mode	>0	100	kHz
		Fast-mode	>0	400	kHz
		Fast-mode Plus	>0	1	MHz
t <sub>LOW</sub>	SCL Low Period	Standard-mode	4.7		μs
		Fast-mode	1.3		μs
		Fast-mode Plus	0.5		μs
t <sub>HIGH</sub>	SCL High Period	Standard-mode	4.0		μs
		Fast-mode	0.6		μs
		Fast-mode Plus	0.26		μs
t <sub>HD,STA</sub>	Hold time for a start or a repeated start condition	Standard-mode	4.0		μs
		Fast-mode	0.6		μs
		Fast-mode Plus	0.26		μs
t <sub>SU,STA</sub>	Set up time for a start or a repeated start condition	Standard-mode	4.7		μs
		Fast-mode	0.6		μs
		Fast-mode Plus	0.26		μs
t <sub>HD,DAT</sub>	Data hold time	Standard-mode	0		μs
		Fast-mode	0		μs
		Fast-mode Plus	0		μs
t <sub>SU,DAT</sub>	Data set up time	Standard-mode	250		ns
		Fast -mode	100		ns
		Fast-mode Plus	50		ns
t <sub>SU,STO</sub>	Set up time for STOP condition	Standard-mode	4.0		μs
		Fast-mode	0.6		μs
		Fast-mode Plus	0.26		μs
t <sub>BUF</sub>	Bus free time between STOP and START	Standard-mode	4.7		μs
		Fast-mode	1.3		μs
		Fast-mode Plus	0.5		μs
t <sub>r</sub>	SCL & SDA rise time	Standard-mode		1000	ns
		Fast-mode		300	ns
		Fast-mode Plus		120	ns
t <sub>f</sub>	SCL & SDA fall time	Standard-mode		300	ns
		Fast-mode		300	ns
		Fast-mode Plus		120	ns
C <sub>b</sub>	Capacitive load for each bus line	Standard-mode		400	pF
		Fast-mode		400	pF
		Fast-mode Plus		550	pF
t <sub>VD,DAT</sub>	Data valid time	Standard-mode		3.45	μs
		Fast-mode		0.9	μs
		Fast-mode Plus		0.45	μs
t <sub>VD,ACK</sub>	Data vallid acknowledge time	Standard-mode		3.45	μs
		Fast-mode		0.9	μs
		Fast-mode Plus		0.45	μs
t <sub>SP</sub>	Input filter	Fast-mode		50	ns

Over I<sup>2</sup>C supply and temperature ranges unless otherwise specified.

	MIN	TYP	MAX	UNIT
Fast-mode Plus			50	ns

### 6.7 Timing Diagrams

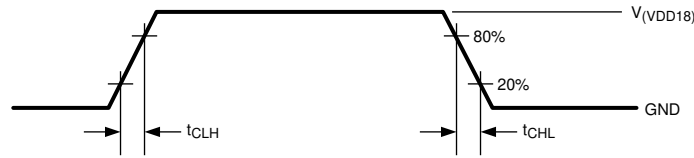


Figure 6-1. LVC MOS Transition Times

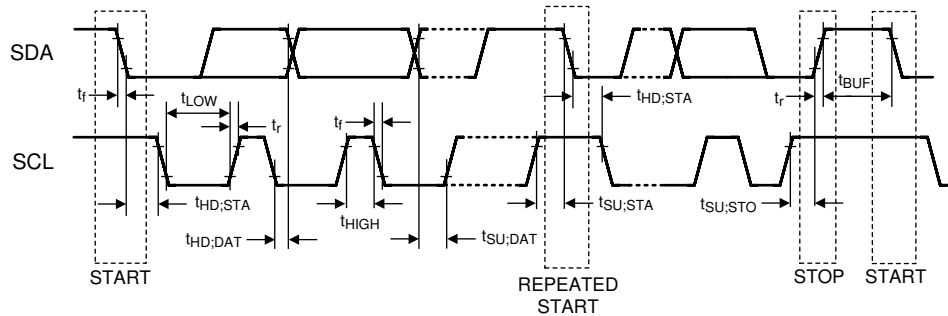


Figure 6-2. I<sup>2</sup>C Serial Control Bus Timing

### 6.8 Typical Characteristics

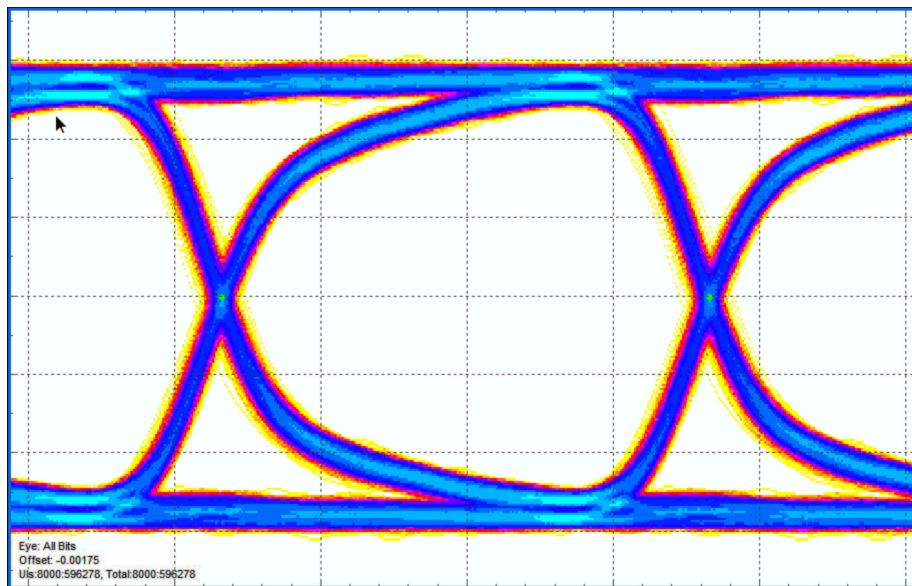


Figure 6-3. Eye Diagram at 3-Gbps FPD-Link III Forward Channel Rate From Serializer Output Vertical Scale: 100 mV/DIV Horizontal Scale: 100 ps/DIV

## 7 Detailed Description

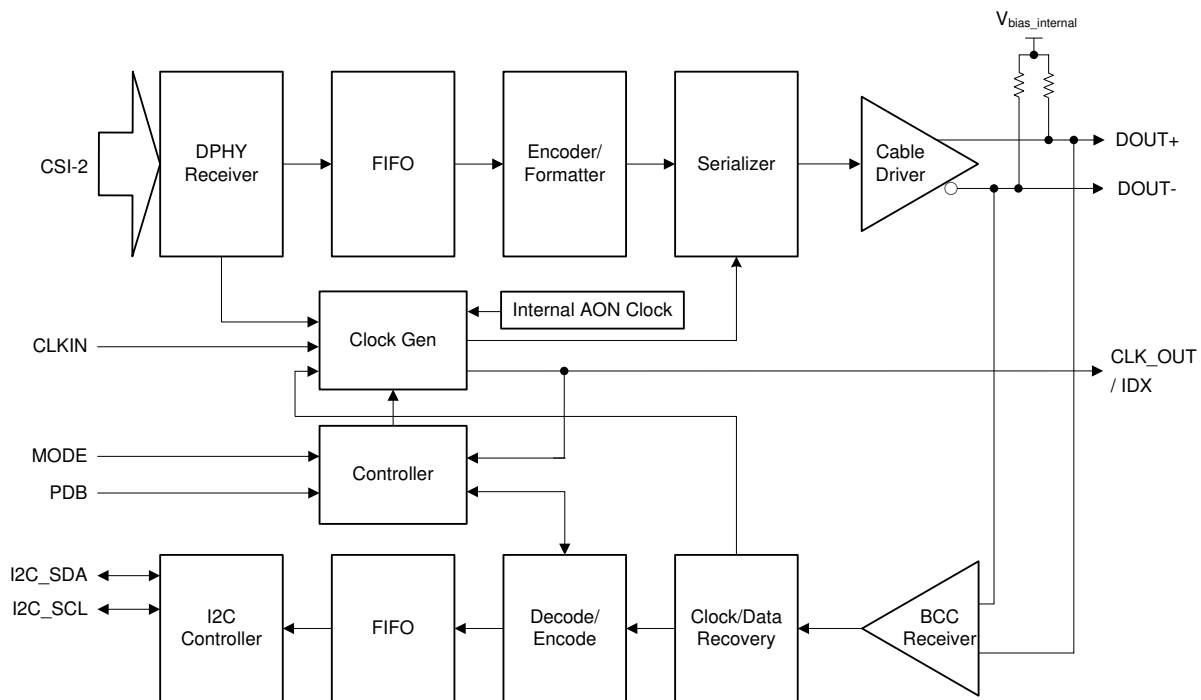
### 7.1 Overview

The DS90UB935-Q1 serializes data from high-resolution image sensors or other sensors using the MIPI CSI-2 interface. The DS90UB935-Q1 serializer is optimized to interface with the DS90UB936-Q1 or DS90UB954-Q1 deserializer (dual hub), the DS90UB960-Q1 deserializer (quad hub), the DS90UB934-Q1 and DS90UB914A-Q1 deserializers, as well as other potential future deserializers. The interconnect between the serializer and the deserializer can be either a coaxial cable or shielded-twisted pair (STP) cable. The DS90UB935-Q1 was designed to support multi-sensor systems such as surround view, and as such has the ability to synchronize sensors through the DS90UB935-Q1, DS90UB954-Q1, and DS90UB960-Q1 hubs.

The DS90UB935-Q1 serializer and companion deserializer incorporate an I<sup>2</sup>C-compatible interface. The I<sup>2</sup>C-compatible interface allows programming of serializer or deserializer devices from a local host controller. In addition, the devices incorporate a bidirectional control channel (BCC) that allows communication between the serializer and deserializer, as well as between remote I<sup>2</sup>C slave devices.

The bidirectional control channel (BCC) is implemented through embedded signaling in the high-speed forward channel (serializer to deserializer), combined with lower speed signaling in the reverse channel (deserializer to serializer). Through this interface, the BCC provides a mechanism to bridge I<sup>2</sup>C transactions across the serial link from one I<sup>2</sup>C bus to another.

### 7.2 Functional Block Diagram



## 7.3 Feature Description

The DS90UB935-Q1 FPD-Link III serializer is designed to support high-speed raw data sensors including cameras, satellite RADAR, LIDAR, and time of flight (ToF) cameras. The chip features a forward channel capable of up to 3.16 Gbps, as well as an ultra-low latency 50-Mbps bidirectional control channel. The transmission of the forward channel, bidirectional control channel, and power is supported over coaxial (Power-over-Coax) or STP cables. The DS90UB935-Q1 features advanced data protection and diagnostic features to support ADAS and autonomous driving. Together with a companion deserializer, the DS90UB935-Q1 delivers precise multi-camera sensor clock and sensor synchronization.

### 7.3.1 CSI-2 Receiver

The DS90UB935-Q1 receives CSI-2 video data from the sensor. During CSI-2 operation, the D-PHY consists of a clock lane and one or more data lanes. The DS90UB935-Q1 is a slave device and only supports unidirectional lane in the forward direction. Low Power Escape mode is not supported.

#### 7.3.1.1 CSI-2 Receiver Operating Modes

During normal operation a data lane will be in either control or high-speed mode. In high-speed mode, the data transmission happens in a burst and starts and ends at a stop state (LP-11). There is a transition state to take the D-PHY from a normal mode to the low-power state.

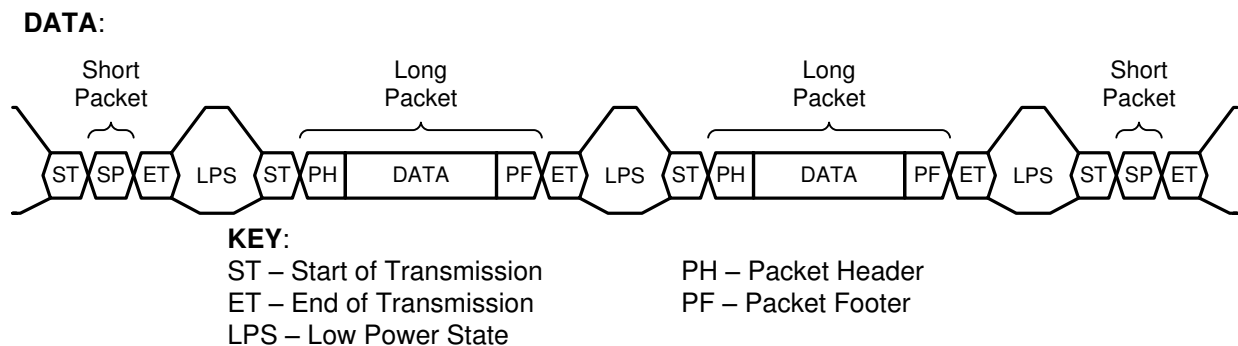
The sequence to enter high-speed mode is: LP-11, LP-01, LP-00. After the sequence is entered, the data lane remains in high-speed mode until a stop state (LP-11) is received.

#### 7.3.1.2 CSI-2 Receiver High-Speed Mode

During high-speed data transmission, the digital D-PHY will enable termination signal to allow proper termination of the HS RX of the Analog D-PHY, and the LP RX should stay at LP-00 state. Both CSI-2 data lane and clock lane operate in the same manner. The DS90UB935-Q1 supports CSI-2 continuous clock lane mode where the clock lane remains in high-speed mode.

#### 7.3.1.3 CSI-2 Protocol Layer

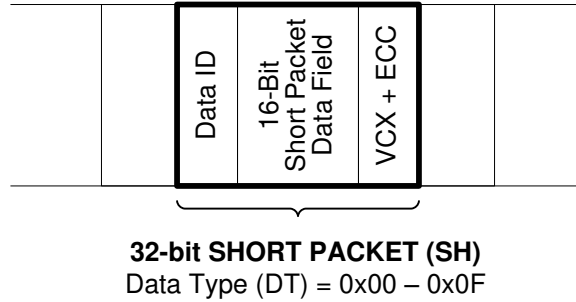
There are two different types of CSI-2 packets: a short packet and a long packet. Short packets have information such as the frame start/ line start, and long packets carry the data after the frame start is asserted. [Figure 7-1](#) shows the structure of the CSI-2 protocol layer with short and long packets. The DS90UB935-Q1 supports 1, 2, and 4 lane configurations.



**Figure 7-1. CSI-2 Protocol Layer With Short and Long Packets**

#### 7.3.1.4 CSI-2 Short Packet

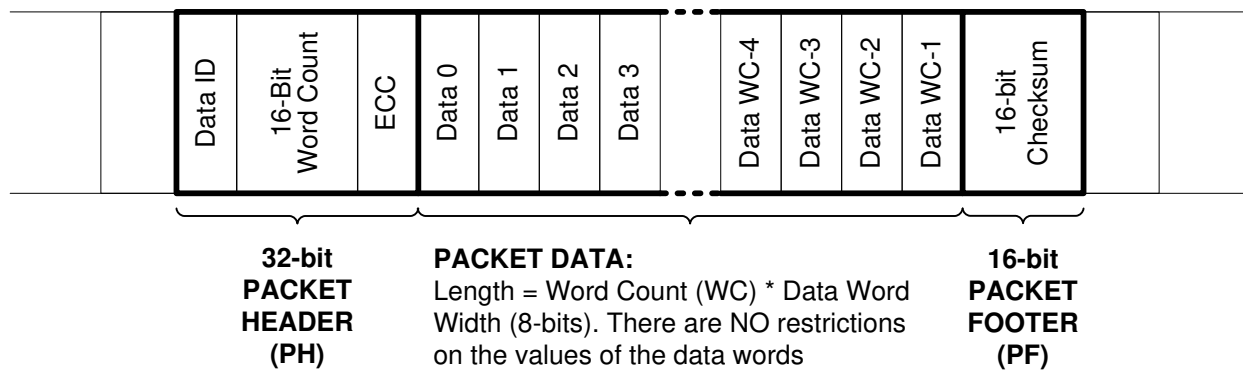
The short packet provides frame or line synchronization. [Figure 7-2](#) shows the structure of a short packet. A short packet is identified by data types 0x00 to 0x0F.



**Figure 7-2. CSI-2 Short Packet Structure**

### 7.3.1.5 CSI-2 Long Packet

A long packet consists of three elements: a 32-bit packet header (PH), an application-specific data payload with a variable number of 8-bit data words, and a 16-bit packet footer (PF). The packet header is further composed of three elements: an 8-bit data identifier, a 16-bit word count field, and an 8-bit ECC. The packet footer only has one element—a 16-bit checksum. [Figure 7-3](#) shows the structure of a long packet.



**Figure 7-3. CSI-2 Long Packet Structure**

**Table 7-1. CSI-2 Long Packet Structure Description**

PACKET PART	FIELD NAME	SIZE (BIT)	DESCRIPTION
Header	VC / Data ID	8	Contains the virtual channel identifier and the data-type information.
	Word Count	16	Number of data words in the packet data. A word is 8 bits.
	ECC	8	ECC for data ID and WC field. Allows 1-bit error recovery and 2-bit error detection.
Data	Data	WC × 8	Application-specific payload (WC words of 8 bits).
Footer	Checksum	16	16-bit cyclic redundancy check (CRC) for packet data.

### 7.3.1.6 CSI-2 Errors and Detection

#### 7.3.1.6.1 CSI-2 ECC Detection and Correction

CSI-2 packet header contains 6-bit Error Correction Code (ECC). ECC in the 32-bit long packet header can be corrected when there is a 1-bit error and detected when there is a 2-bit error. This feature is added to monitor the CSI-2 input for ECC 1-bit error correction. When ECC error is detected, ECC error detection register will be set and an alarm indicator bit can be sent to the deserializer to indicate the ECC error has been detected. A register control can be used to either enable or disable the alarm.

#### 7.3.1.6.2 CSI-2 Check Sum Detection

A CSI-2 long packet header contains a 16-bit check sum before the end of transmission. The DS90UB935-Q1 calculates the check sum of the incoming CSI-2 data. If a check sum error is detected, the check sum error

status can be saved in the CSI\_ERR\_STATUS register (0x5D), then forwarded to the deserializer through the bidirectional control channel.

#### 7.3.1.6.3 CSI-2 Receiver Status

For the receive ports, several status functions can be tracked and monitored through register access. The status indications are available for error conditions as well as indications of change in line length measurements. These are available through the CSI\_ERR\_CNT (0x5C), CSI\_ERR\_STATUS (0x5D), CSI\_ERR\_DLANE01 (0x5E), CSI\_ERR\_DLANE23 (0x5F), and CSI\_ERR\_CLK\_LANE (0x60) registers.

### 7.3.2 FPD-Link III Forward Channel Transmitter

The DS90UB935-Q1 features a high-speed signal transmitter capable of driving signals at rates of up to 3.16 Gbps.

#### 7.3.2.1 Frame Format

The DS90UB935-Q1 formats the data into 40-bit long frames. Each frame is encoded to ensure DC balance and to ensure sufficient data line transitions. Each frame contains video payload data, I<sup>2</sup>C forward channel data, CRC information, framing information, and information regarding the state of the CSI-2 interface.

### 7.3.3 FPD-Link III Back Channel Receiver

The FPD-Link III back channel receives an encoded back channel signal over the FPD-Link III interface. The back channel frame is a 30-bit frame that contains I<sup>2</sup>C commands and GPIO data. The back channel frame receives an encoded clock and data from the deserializer, thus the data bit rate is one-half the frequency of the highest frequency received.

The back channel frequency is programmable for operation with compatible deserializers. The default setting is determined by the MODE strap pin. For operation with the DS90UB936-Q1, DS90UB954-Q1, or DS90UB960-Q1, the back channel should be programmed for 50-Mbps operation in DS90UB935-Q1 synchronous mode and programmed for 10-Mbps operation for non-synchronous modes.

### 7.3.4 Serializer Status and Monitoring

The DS90UB935-Q1 features enhanced FPD-Link III diagnostics, system monitoring, and Built-In Self Test capabilities. The device monitors forward channel and back channel data for errors and reports them in the status registers. The device also supports voltage and temperature measurement for system level diagnostics. The Built-In Self Test feature allows testing of the forward channel and back channel data transmissions without external data connections.

#### 7.3.4.1 Forward Channel Diagnostics

The DS90UB935-Q1 monitors the status of the forward channel link. The forward channel high-speed PLL lock status is reported in the HS\_PLL\_LOCK bit (Register 0x52[2]). When paired with the DS90UB936-Q1 or DS90UB954-Q1, the FPD-Link III deserializer LOCK status is also reported in the RX\_LOCK\_DETECT bit (Register 0x52[6]).

#### 7.3.4.2 Back Channel Diagnostics

The DS90UB935-Q1 monitors the status of the back channel link. The back channel CRC errors are reported in the CRC\_ERR bit (Register 0x52[1]). The number of CRC errors are stored in the CRC error counters and reported in the CRC\_ERR\_CNT1 (Register 0x55) and CRC\_ERR\_CNT2 (Register 0x56) registers. The CRC error counters are reset by setting the CRC\_ERR\_CLR (Register 0x49[3]) to 1.

When running the BIST function, the DS90UB935-Q1 reports if a BIST CRC error is detected in the BIST\_CRC\_ERR bit (Register 0x52[3]). The number of BIST errors are reported in the BIST\_ERR\_CNT field (Register 0x54). The BIST CRC error counter is reset by setting the BIST\_CRC\_ERR\_CLR (Register 0x49[5]) to 1.

#### 7.3.4.3 Voltage and Temperature Sensing

The DS90UB935-Q1 supports voltage measurement and temperature measurement. The temperature and voltage sensors are both equipped with a 3-bit ADC. The engineer can configure these sensors to monitor a



signal and raise a flag when a signal goes outside of a set limit. For example, a voltage sensor can be used to monitor the 1.8-V line and raise a flag if the voltage goes above 1.85 V or below 1.75 V. This flag can then be transferred to the deserializer and set an interrupt at the deserializer end of the link. In a similar manner, the temperature sensor will trigger an alarm bit when the internal temperature of DS90UB935-Q1 is outside the range.

Both GPIO0 and GPIO1 can be configured to sense the voltage applied at their inputs. [Table 7-32](#) through [Table 7-38](#) cover the registers specific to this section.

For a given voltage or temperature, the measurement accuracy is  $\pm 1$  LSB. This means that for a given input voltage or temperature corresponding to the nearest value in [Table 7-2](#) and [Table 7-3](#), the resulting ADC output code will be accurate to the nearest  $\pm 1$  code.

**Table 7-2. ADC Code vs Input Voltage**

GPIO VIN (V)	CODE
VIN < 0.85	000
0.85 < VIN < 0.90	001
0.90 < VIN < 0.95	010
0.95 < VIN < 1.00	011
1.00 < VIN < 1.05	100
1.05 < VIN < 1.10	101
1.10 < VIN < 1.15	110
1.15 < VIN	111

**Table 7-3. ADC Code vs Temperature**

TEMPERATURE (°C)	CODE
T < -30	000
-30 < T < -10	001
-10 < T < 15	010
15 < T < 35	011
35 < T < 55	100
55 < T < 75	101
75 < T < 100	110
100 < T	111

### 7.3.4.3.1 Programming Example

This section gives an example on how to configure the DS90UB935-Q1 and DS90UB936-Q1 to monitor the voltage on the DS90UB935-Q1 GPIO1 and set an alarm, which can then assert the INT pin on the DS90UB936-Q1.

```
# DS90UB935-Q1 Settings
WriteI2C(0x17,0x3E) # Enable Sensor, Select GPIO1 to sense
WriteI2C(0x18,0xB2) # Enable Sensor Gain Setting (Use Default)
WriteI2C(0x1A,0x62) # Set Sensor Upper and Lower Limits (Use Default)
WriteI2C(0x1D,0x3F) # Enable Sensor Alarms
WriteI2C(0x1E,0x7F) # Enable Sending Alarms over BCC
# Register 0x57 readout (bits 2 and 3), indicates if the voltage on the GPIO1 is below or above the
# thresholds set in the register 0x1A.
# DS90UB936-Q1 Settings
WriteI2C(0x23,0x81) # Enable Interrupts, Enable Interrupts for the camera attached to RX0
WriteI2C(0x4C,0x01) # Enable Writes to RX0 registers
WriteI2C(0xD8,0x08) # Interrupt on change in Sensor Status
# Register 0x51 and 0x52 readouts indicate Sensor data. Register 0x24[7] bit readout indicates the
# Alarm bit. The alarm bit can be routed to GPIO3/INT through GPIO_PIN_CTL and GPIO_OUT_SRC registers.
```

### 7.3.4.4 Built-In Self Test

An optional at-speed Built-In Self Test (BIST) feature supports high-speed serial link and back channel testing without external data connections. This is useful in the prototype stage, equipment production, in-system test, and system diagnostics.

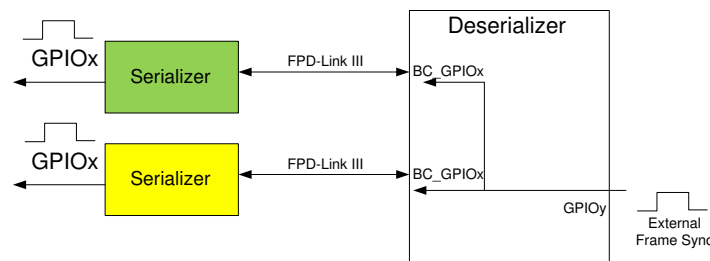
BIST mode is enabled by the BIST configuration register 0xB3[0] on the deserializer, and should only run in the synchronous mode. When BIST is activated at the deserializer, a BIST enable signal is sent to the serializer through the back channel. The serializer outputs a continuous stream of a pseudo-random sequence and drives the link at speed. The deserializer detects the test pattern and monitors the pattern for errors. The serializer also tracks errors indicated by the CRC fields in each back channel frame. While the lock indications are required to identify the beginning of proper data reception, the best indication of any link failures or data corruption is the content of the error counter in the BIST\_ERR\_COUNT register 0x57 for each RX port on the deserializer side. BIST mode is useful in the prototype stage, equipment production, in-system test, and system diagnostics.

### 7.3.5 FrameSync Operation

When paired with compatible deserializers, any of the DS90UB935-Q1 GPIO pins can be used for frame synchronization. This feature is useful when multiple sensors are connected to a deserializer hub. A frame synchronization signal (FrameSync) can be sent through the back channel using any of the back channel GPIOs. The FrameSync signal arrives at the serializers with limited skew.

#### 7.3.5.1 External FrameSync

In External FrameSync mode, an external signal is input to the deserializer through one of the GPIO pins on the device. The external FrameSync signal may be propagated to one or more of the attached FPD-Link III serializers through a GPIO signal in the back channel. The expected skew timing for external FrameSync mode is on the order of one back channel frame period or 600 ns when operating at 50 Mbps.

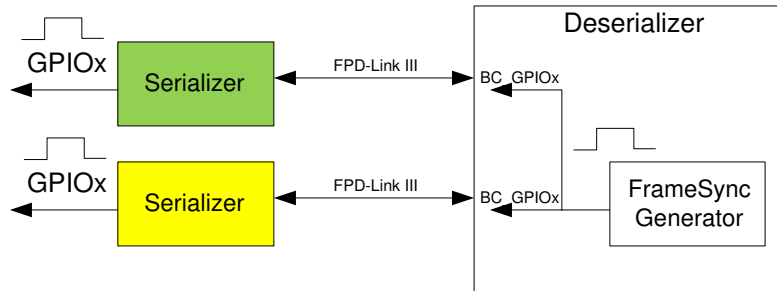


**Figure 7-4. External FrameSync**

Enabling the external FrameSync mode is done on the deserializer side. Refer to the deserializer data sheet for more information.

### 7.3.5.2 Internally Generated FrameSync

In Internal FrameSync mode, an internally generated FrameSync signal is sent to one or more of the attached FPD-Link III Serializers through a GPIO signal in the back channel.



**Figure 7-5. Internal FrameSync**

FrameSync operation is controlled by the deserializer registers. Refer to the deserializer data sheet for more information.

### 7.3.6 GPIO Support

The DS90UB935-Q1 supports four pins, GPIO0 through GPIO3, which can be monitored, configured, and controlled through the I<sup>2</sup>C bus in registers 0x0D, 0x0E, and 0x53. These GPIOs are programmable for use in multiple situations. GPIO0 and GPIO1 have additional diagnostics functionality and may be programmed to sense external voltage levels.

#### 7.3.6.1 GPIO Status

The status HIGH or LOW of each GPIO pin 0 through 3 may be read through the GPIO\_PIN\_STS register 0x53. This register read operation provides the status of the GPIO pin independent of whether the GPIO pin is configured as an input or output.

#### 7.3.6.2 GPIO Input Control

Upon initialization, GPIO0 through GPIO3 are enabled as inputs by default. The GPIO\_INPUT\_CTRL (0x0E) register (bits 3:0) allows control of the input enable. If a GPIO\_INPUT\_CTRL[3:0] bit is set to 1, then the corresponding GPIO\_INPUT\_CTRL[7:4] bit must be set to 0.

#### 7.3.6.3 GPIO Output Control

Individual GPIO output control is programmable through the GPIO\_INPUT\_CTRL (0x0E) register (bits 7:4) in [Table 7-25](#). If a GPIO\_INPUT\_CTRL[7:4] bit is set to 1, then the corresponding GPIO\_INPUT\_CTRL[3:0] bit must be set to 0.

### 7.3.6.4 Forward Channel GPIO

The input on the DS90UB935-Q1 GPIO pins can be forwarded to compatible deserializers over the FPD-Link III interface. Up to four GPIOs are supported in the forward direction.

The timing for the forward channel GPIO is dependent on the number of GPIOs assigned at the serializer. When a single GPIO input from the DS90UB935-Q1 serializer is linked to a compatible deserializer GPIO output, the value is sampled at every forward channel transmit frame. Two linked GPIO are sampled every two forward channel frames, and three or four linked GPIO are sampled every five frames. The typical minimum latency for the GPIO remains consistent (approximately 225 ns), but as the information is spread over multiple frames, the jitter is typically increased on the order of the sampling period (number of forward channel frames). TI recommends that the user maintain a 4x oversampling ratio for linked GPIO throughput. For example, when operating in 4-Gbps synchronous mode with REFCLK = 25 MHz, the maximum recommended GPIO input frequency based on the number of GPIO linked over the forward channel is shown in [Table 7-4](#).

**Table 7-4. Forward Channel GPIO Typical Timing**

NUMBER OF LINKED FORWARD CHANNEL GPIOs (FC_GPIO_EN)	SAMPLING FREQUENCY (MHz) AT FPD-Link III LINE RATE = 4 Gbps	MAXIMUM RECOMMENDED FORWARD CHANNEL GPIO FREQUENCY (MHz)	TYPICAL JITTER (ns)
1	100	25	12
2	50	12.5	24
4	20	5	60

### 7.3.6.5 Back Channel GPIO

When enabled as an output, each DS90UB935-Q1 GPIO pin can be programmed to output remote data coming from the compatible deserializer using the LOCAL\_GPIO\_DATA register (0x0D). The maximum signal frequency that can be received over the FPD-Link III back channel is dependent on the DS90UB935-Q1 clocking mode as shown in [Table 7-5](#).

**Table 7-5. Back Channel GPIO Typical Timing**

DS90UB935-Q1 CLOCKING MODE	BACK CHANNEL RATE (Mbps)	SAMPLING FREQUENCY (kHz)	MAXIMUM RECOMMENDED BACK CHANNEL GPIO FREQUENCY (kHz)	TYPICAL LATENCY (μs)	TYPICAL JITTER (μs)
Synchronous Mode	50	1670	416	1.5	0.7
Non-Synchronous Modes	10	334	83.5	3.2	3
DVP Mode	2.5	83.5	20	12.2	12

## 7.4 Device Functional Modes

### 7.4.1 Clocking Modes

The DS90UB935-Q1 supports several clocking schemes, which are selected through the MODE pin. In the DS90UB935-Q1, the forward channel operates at a higher bandwidth than the requirement set by the video data transported, and the forward channel data rate is set by a reference clock. The clocking mode determines what the device uses as the reference clock, and the most common configuration is synchronous mode in which no local reference oscillator is required. See [Table 7-6](#) for more information.

The default mode of the DS90UB935-Q1 is set by the application of a bias on the MODE pin during power up. More information on setting the operation modes can be found in [Section 7.4.2](#).

Table 7-6. Clocking Modes

MODE	DIVIDE	REFERENCE SOURCE	REF FREQUENCY (MHz)	FC DATA RATE	CSI BANDWIDTH ≤	CLK_OUT (3)
Synchronous (Half-rate)	N/A	Back Channel <sup>(1)</sup>	23 - 26	f × 160	f × 128	$f \times 160 / \text{HS\_CLK\_DIV} \times (M/N)$
	N/A	Back Channel <sup>(1)</sup>	11.5 - 13	f × 160	f × 128	$f \times 160 / \text{HS\_CLK\_DIV} \times (M/N)$
Non-Synchronous external clock	CLKIN_DIV = 1,	External Clock <sup>(2)</sup>	25 - 52	f × 80	f × 64	$f \times 80 / \text{HS\_CLK\_DIV} \times (M/N)$
	CLKIN_DIV = 2,	External clock <sup>(2)</sup>	50 - 104	f × 40	f × 32	$f \times 40 / \text{HS\_CLK\_DIV} \times (M/N)$
Non-Synchronous Internal Clock	CLKIN_DIV = 1	935 Internal Clock	24.3 - 25.5	f × 80	f × 64	N/A
DVP External Clock Deserializer Mode: RAW10	CLKIN_DIV = 1,	External clock	25 - 66.5	f × 28	f × 20	$f \times 28 / \text{HS\_CLK\_DIV} \times (M/N)$
DVP External Clock Deserializer Mode: RAW12 HF	CLKIN_DIV = 1,	External clock	25 - 70	f × 28	f × 20	$f \times 28 / \text{HS\_CLK\_DIV} \times (M/N)$

- (1) The back channel is recovered from the FPD-Link III bidirectional control channel. A local reference clock source is not required. Refer to the deserializer data sheet for the back channel frequency settings.
- (2) A local reference clock source is required. Provide a clock source to the DS90UB935-Q1's CLKIN pin.
- (3) HS\_CLK\_DIV typically should be set to either 16, 8, or 4 (default).

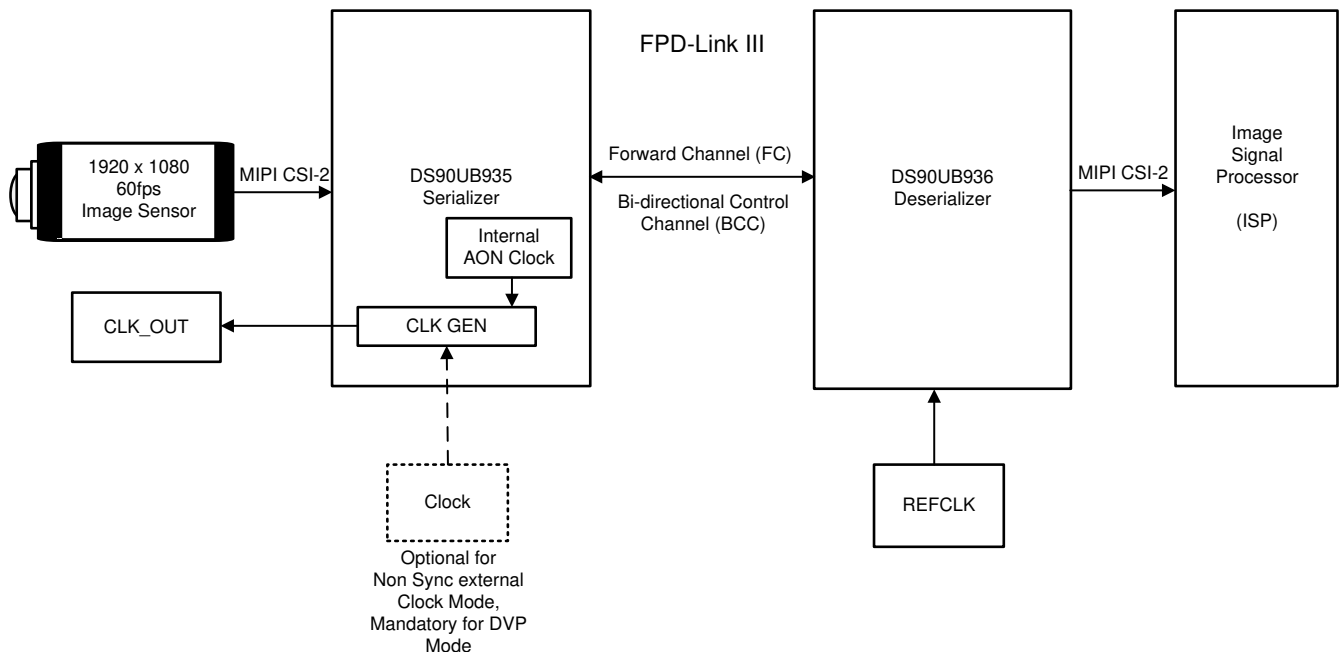


Figure 7-6. Clocking System Diagram

### 7.4.1.1 Synchronous Mode

Operation in synchronous mode offers the advantage that the receiver and all of the sensors in a multi-sensor system are locked to a common clock in the same clock domain, which reduces or eliminates the need for data

buffering and resynchronization. The synchronous clocking mode also eliminates the cost, space, and potential failure point of a reference oscillator within the sensor module.

In this mode, a clock is passed from the deserializer to the serializer through the FPD-Link III back channel, and the serializer is able to use this clock both as a reference clock for an attached image sensor, as well as a reference clock for the link back to the deserializer (FPD-Link III forward channel). For operation in this mode, the DS90UB935-Q1 must be paired with a deserializer that can support this feature such as the DS90UB936-Q1, DS90UB954-Q1, DS90UB936-Q1, DS90UB962-Q1, or the DS90UB960-Q1.

#### 7.4.1.2 Non-Synchronous Clock Mode

In the non-synchronous clock mode, the external reference clock is supplied to the serializer. The serializer uses this clock to derive the FPD-Link III forward channel and an external reference clock for an attached image sensor. When in CSI-2 mode, the CSI-2 interface may be synchronous to this clock. The CSI-2 rate must be lower than the line rate. For example, with a 50-MHz clock, the FPD-Link III forward channel rate is 3 Gbps, the CSI-2 throughput must be  $\leq 2.52$  Gbps (see [Table 7-6](#)).

#### 7.4.1.3 Non-Synchronous Internal Mode

In the non-synchronous internal clocking mode, the serializer uses the internal Always-on Clock (AON) as the reference clock for the forward channel. The OSCCLK\_SEL select must be asserted (0x05[3]=1) to enable maximum data rate when using internal clock mode, and the CLK\_OUT function must be disabled. A separate reference is provided to the image sensor or ISP. When in CSI-2 mode, the CSI-2 interface may be synchronous to this clock. The CSI-2 rate must be lower than the line rate. For example, with the internal clock of 24.2 MHz, the FPD-Link III forward channel rate is 1.936 Gbps, the CSI-2 throughput must be  $\leq 1.55$  Gbps (See [Table 7-6](#)).

#### 7.4.1.4 DVP Backwards Compatibility Mode

The DS90UB935-Q1 can be placed into DVP mode to be backward-compatible with the DS90UB934-Q1 or DS90UB914A-Q1. While the mode should have been configured using the Mode pin on the DS90UB935-Q1, the register MODE\_SEL register 0x03[2:0] can be used to verify or override the current mode. This field always indicates the mode setting of the device. When bit 4 of this register is 0, this field is read-only and shows the mode setting. Mode is latched from strap value when PDB transitions LOW to HIGH, and the value should read back 101 (0x5) if the resistive strap is set correctly to DVP external clock backward-compatible mode. Alternatively, when bit 4 of this register is set to 1, the MODE field is read/write and can be programmed to 101 to assign the correct backward-compatible MODE. This is shown in [Table 7-14](#).

CSI-2 input data provided to the DS90UB935-Q1 must be synchronized to the input frequency applied to CLKIN when using DVP external clock mode. The PCLK frequency output from the DS90UB934-Q1 or DS90UB914A-Q1 deserializer will also be related to CLKIN when in DVP external clock mode. See [Backward compatibility modes for operation with parallel output deserializers](#) (SNLA270) for more information.

**Table 7-7. List of Registers Used for DVP Configuration**

REGISTER	REGISTER NAME	REGISTER DESCRIPTION
0X03	MODE_SEL	Used to override and verify strapped value, if necessary, and to configure for DVP with an external clock.
0X04	BC_MODE_SELECT	Allows DVP mode overwrites to RAW 10 or RAW 12.
0X10	DVP_CFG	Allows configuration of data in DVP mode. This includes data types like long, YUV, and specified types.
0X11	DVP_DT	Allows packets with certain data type regardless of RAW 10 or 12 mode if DVP_DT_MATCH_EN is asserted.

#### 7.4.1.5 Configuring CLK\_OUT

When using the DS90UB935-Q1 in either synchronous or non-synchronous external clock modes, CLK\_OUT is intended as a reference clock for the image sensor. CLK\_OUT functionality is disabled when operating in non-synchronous internal clocking mode. The frequency of the external CLK\_OUT is set by (see [Equation 1](#) and [Equation 2](#)).

$$\text{CLK\_OUT} = \text{FC} \times \frac{\text{M}}{\text{HS\_CLK\_DIV} \times \text{N}} \quad (1)$$

where

- FC is the forward channel data rate, and M, HS\_CLK\_DIV, and N are parameters set by registers 0x06 and 0x07

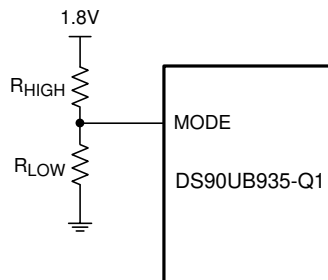
$$\frac{\text{FC}}{\text{HS\_CLK\_DIV}} < 1.05 \text{ GHz} \quad (2)$$

The PLL that generates CLK\_OUT is a digital PLL, and as such, has very low jitter if the ratio N/M is an integer. If N/M is not an integer, then the jitter on the signal is approximately equal to HS\_CLK\_DIV/FC—so if it is not possible to have an integer ratio of N/M, it is best to select a smaller value for HS\_CLK\_DIV.

If a particular CLK\_OUT frequency, such as 37.125 MHz, is required for a system, the designer can select the values M=9, N=0xF2, and HS\_CLK\_DIV=4 to achieve an output frequency of 37.190 MHz and a frequency error of 0.175% with an associate jitter of approximately 1 ns. Alternately, the designer could use M=1, N=0x1B, HS\_CLK\_DIV=4 for CLK\_OUT = 37.037 MHz, and a frequency error of 0.24% for less jitter. A third alternative would be to use M=1, N=0x1E, and HS\_CLK\_DIV=4, but rather than using a 25.000-MHz reference clock frequency (REFCLK) for the deserializer in synchronous mode, use a frequency of 25.059 MHz. The 2x reference then fed to the DS90UB935-Q1 from the deserializer back channel will allow generating CLK\_OUT = 37.124 MHz with both low jitter and a low frequency error.

### 7.4.2 MODE

The DS90UB935-Q1 can operate in one of four different modes. The user can apply the bias voltage to the MODE pin during power up to operate in default mode. To set this voltage, a potential divider between VDDPLL and GND is used to apply the appropriate bias. This potential divider should be referenced to the potential on the VDDD pin. After power up, the MODE can be read or changed through register access.



**Figure 7-7. MODE Configuration**

**Table 7-8. Strap Configuration Mode Select**

MODE SELECT		V <sub>TARGET</sub> VOLTAGE RANGE			V <sub>TARGET</sub> STRAP VOLTAGE	SUGGESTED STRAP RESISTORS (1% TOL)		DESCRIPTION
MODE	NAME	RATIO MIN	RATIO TYP	RATIO MAX	V <sub>(VDD)</sub> = 1.8 V	R <sub>HIGH</sub> (kΩ)	R <sub>LOW</sub> (kΩ)	
0	Synchronous	0	0	0.133 x V <sub>(VDD)</sub>	0	OPEN	10	CSI-2 Synchronous mode – FPD-Link III Clock reference derived from the deserializer.
2	Non-Synchronous External Clock	0.288 x V <sub>(VDD)</sub>	0.325 x V <sub>(VDD)</sub>	0.367 x V <sub>(VDD)</sub>	0.586	75	35.7	CSI-2 Non-synchronous clock – FPD-Link III Clock reference derived from external clock reference input on CLKIN pin.
3	Non-Synchronous Internal Clock	0.412 x V <sub>(VDD)</sub>	0.443 x V <sub>(VDD)</sub>	0.474 x V <sub>(VDD)</sub>	0.792	71.5	56.2	CSI-2 Non-synchronous – FPD-Link III Clock reference derived from internal AON clock.
5 <sup>(1)</sup>	DVP Mode	0.642 x V <sub>(VDD)</sub>	0.673 x V <sub>(VDD)</sub>	0.704 x V <sub>(VDD)</sub>	1.202	39.2	78.7	DVP with External clock.

- (1) The DS90UB934-Q1 and DS90UB914A-Q1 deserializers also contain a Mode pin (21). However, the mode pin on the deserializer determines the expected data format: RAW10, RAW12 LF, or RAW12 HF. Note that RAW12 LF is not supported on the DS90UB935-Q1.

## 7.5 Programming

### 7.5.1 I<sup>2</sup>C Interface Configuration

This serializer may be configured by the use of an I<sup>2</sup>C-compatible serial control bus. Multiple devices may share the serial control bus (up to two device addresses are supported). The device address is set through a resistor divider (R<sub>HIGH</sub> and R<sub>LOW</sub> – see [Figure 7-8](#)) connected to the IDX pin.

#### 7.5.1.1 CLK\_OUT/IDX

The CLK\_OUT/IDX pin serves two functions. At power up, the voltage on the IDX pin is compared to VDD and the ratio sets various parameters for configuration of the DS90UB935-Q1. After the DS90UB935-Q1 is configured, the CLK\_OUT/IDX pin switches over to a clock source, intended to provide a reference clock to the image sensor. A minimum load impedance at the CLK\_OUT/IDX pin of 35 kΩ is required when using the CLK\_OUT function.

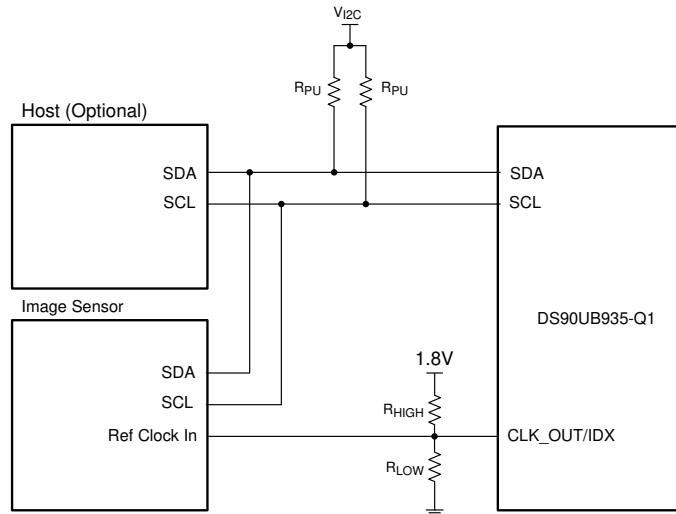
##### 7.5.1.1.1 IDX

The IDX pin configures the control interface to one of two possible device addresses—either the 1.8-V or 3.3-V referenced I<sup>2</sup>C address. A pullup resistor and a pulldown resistor must be used to set the appropriate voltage on the IDX input pin (see [Figure 7-8](#)). The IDX resistor divider must be referred to Pin #25 (after the ferrite filter on the DS90UB935-Q1 pin side).

**Table 7-9. IDX Configuration Setting**

IDX	V <sub>TARGET</sub> VOLTAGE RANGE			V <sub>IDX</sub> TARGET VOLTAGE	SUGGESTED STRAP RESISTORS (1% TOL)		I <sup>2</sup> C 8-BIT ADDRESS	I <sup>2</sup> C 7-BIT ADDRESS	V <sub>(I2C)</sub> (I2C I/O VOLTAGE)
	RATIO MIN	RATIO TYP	RATIO MAX	V <sub>VDD</sub> = 1.8 V	R <sub>HIGH</sub> (kΩ)	R <sub>LOW</sub> (kΩ)			
1	0	0	0.131 x V <sub>(VDD18)</sub>	0	Open	40.2	0x30	0x18	1.8 V
2	0.178 x V <sub>(VDD18)</sub>	0.214 x V <sub>(VDD18)</sub>	0.256 x V <sub>(VDD18)</sub>	0.385	180	47.5	0x32	0x19	1.8 V
3	0.537 x V <sub>(VDD18)</sub>	0.564 x V <sub>(VDD18)</sub>	0.591 x V <sub>(VDD18)</sub>	1.015	82.5	102	0x30	0x18	3.3 V
4	0.652 x V <sub>(VDD18)</sub>	0.679 x V <sub>(VDD18)</sub>	0.706 x V <sub>(VDD18)</sub>	1.223	68.1	137	0x32	0x19	3.3 V





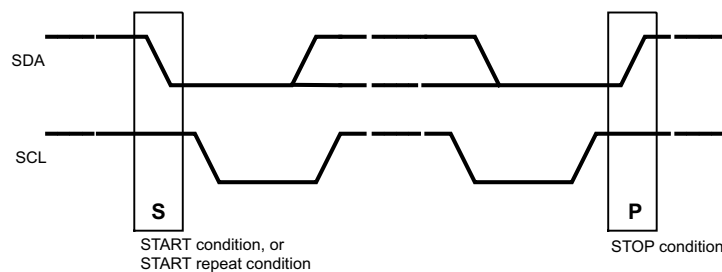
**Figure 7-8. Circuit to Bias IDX Pin**

### 7.5.2 I<sup>2</sup>C Interface Operation

The serial control bus consists of two signals: SCL and SDA. SCL is a Serial Bus Clock Input / Output signal and the SDA is the Serial Bus Data Input / Output signal. Both SCL and SDA signals require an external pullup resistor to  $V_{I2C}$ , chosen to be either 1.8 V or 3.3 V.

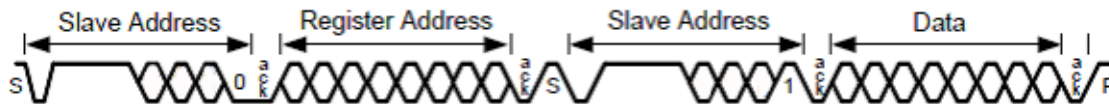
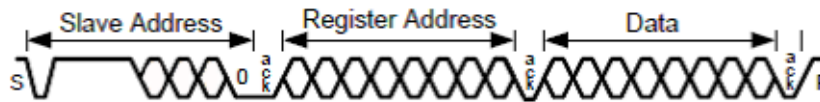
For the standard and fast I<sup>2</sup>C modes, a pullup resistor of  $R_{PU} = 4.7\text{ k}\Omega$  is recommended, while a pullup resistor of  $R_{PU} = 470\ \Omega$  is recommended for the fast plus mode. However, the pullup resistor value may be additionally adjusted for capacitive loading and data rate requirements. The signals are either pulled High or driven Low. The IDX pin configures the control interface to one of two possible device addresses. A pullup resistor ( $R_{HIGH}$ ) and a pull-down resistor ( $R_{LOW}$ ) may be used to set the appropriate voltage on the IDX input pin.

The Serial Bus protocol is controlled by START, START-Repeated, and STOP phases. A START occurs when SDA transitions Low while SCL is High. A STOP occurs when SDA transitions High while SCL is also HIGH. See [Figure 7-9](#).



**Figure 7-9. Start and Stop Conditions**

To communicate with an I<sup>2</sup>C slave, the host controller (master) sends data to the slave address and waits for a response. This response is referred to as an acknowledge bit (ACK). If a slave on the bus is addressed correctly, the slave Acknowledges (ACKs) the master by driving the SDA bus low. If the address does not match a slave address of the device, the slave Not-acknowledges (NACKs) the master by pulling the SDA High. ACKs also occur on the bus when data is being transmitted. When the master is writing data, the slave ACKs after every data byte is successfully received. When the master is reading data, the master ACKs after every data byte is received to let the slave know that the master wants to receive another data byte. When the master wants to stop reading, the master NACKs after the last data byte and creates a stop condition on the bus. All communication on the bus begins with either a start condition or a repeated start condition. All communication on the bus ends with a stop condition. A READ is shown in [Figure 7-10](#) and a WRITE is shown in [Figure 7-11](#).

Figure 7-10. I<sup>2</sup>C Bus ReadFigure 7-11. I<sup>2</sup>C Bus Write

Any I<sup>2</sup>C master located at the serializer must support I<sup>2</sup>C clock stretching. For more information on I<sup>2</sup>C interface requirements and throughput considerations, refer to the TI application note [I<sup>2</sup>C communication over FPD-Link III with bidirectional control channel](#) (SNLA131).

### 7.5.3 I<sup>2</sup>C Timing

The proxy master timing parameters are based on the internal reference clock. The I<sup>2</sup>C master regenerates the I<sup>2</sup>C read or write access using timing controls in registers 0x0B and 0x0C to regenerate the clock and data signals to meet the desired I<sup>2</sup>C timing in standard, fast, or fast-plus modes of operation.

I<sup>2</sup>C master SCL high time is set in register 0x0B. This field configures the high pulse width of the SCL output when the serializer is the master on the local I<sup>2</sup>C bus. The default value is set to provide a minimum 5- $\mu$ s SCL high time with the internal reference clock at 26.25 MHz including five additional oscillator clock periods or synchronization and response time. Units are 38.1 ns for the nominal oscillator clock frequency, giving  $\text{Min\_delay} = 38.1 \text{ ns} \times (\text{SCL\_HIGH\_TIME} + 5)$ .

I<sup>2</sup>C master SCL low time is set in register 0x0C. This field configures the low pulse width of the SCL output when the serializer is the master on the local deserializer I<sup>2</sup>C bus. This value is also used as the SDA setup time by the I<sup>2</sup>C slave for providing data prior to releasing SCL during accesses over the bidirectional control channel. The default value is set to provide a minimum 5- $\mu$ s SCL high time with the reference clock at 26.25 MHz including five additional oscillator clock periods or synchronization and response time. Units are 38.1 ns for the nominal oscillator clock frequency, giving  $\text{Min\_delay} = 38.1 \text{ ns} \times (\text{SCL\_HIGH\_TIME} + 5)$ . See [Table 7-10](#) example settings for standard mode, fast mode, and fast mode plus timing.

Table 7-10. Typical I<sup>2</sup>C Timing Register Settings

I <sup>2</sup> C MODE	SCL HIGH TIME		SCL LOW TIME	
	0x0B	NOMINAL DELAY	0x0C	NOMINAL DELAY
Standard	0x7F	5.03 $\mu$ s	0x7F	5.03 $\mu$ s
Fast	0x13	0.914 $\mu$ s	0x26	1.64 $\mu$ s
Fast - Plus	0x06	0.419 $\mu$ s	0x0B	0.648 $\mu$ s

## 7.6 Pattern Generation

The DS90UB935-Q1 supports an internal pattern generation feature to provide a simple way to generate video test patterns for the CSI-2 transmitter outputs. Two types of patterns are supported: Reference color bar patterns and fixed color patterns accessed by the pattern generator page 0 in the indirect register set. See [Section 7.7.133](#) for more information on internal registers.

### 7.6.1 Reference Color Bar Pattern

The reference color bar patterns are based on the pattern defined in Appendix D of the *mipi\_CTS\_for\_D-PHY\_v1-1\_r03* specification. The pattern is an 8-color bar pattern designed to provide high, low, and medium frequency outputs on the CSI-2 transmit data lanes.

The CSI-2 reference pattern provides 8 color bars by default with the following byte data for the color bars: X bytes of 0xAA (high-frequency pattern, inverted), X bytes of 0x33 (mid-frequency pattern), X bytes of 0xF0 (low-frequency pattern, inverted), X bytes of 0x7F (lone 0 pattern), X bytes of 0x55 (high-frequency pattern), X bytes of 0xCC (mid-frequency pattern, inverted), X bytes of 0x0F (low-frequency pattern), and Y bytes of 0x80 (long 1 pattern). In most cases, Y will be the same as X. For certain data types, the last color bar may need to be larger than the others to properly fill the video line dimensions.

The pattern generator is programmable with the following options:

- Number of color bars (1, 2, 4, or 8)
- Number of bytes per line
- Number of bytes per color bar
- CSI-2 datatype field and VC-ID
- Number of active video lines per frame
- Number of total lines per frame (active plus blanking)
- Line period (possibly program in units of 10 ns)
- Vertical front porch – number of blank lines prior to the FrameEnd packet
- Vertical back porch – number of blank lines following the FrameStart packet

The pattern generator relies on proper programming by software to ensure the color bar widths are set to multiples of the block (or word) size required for the specified datatype. For example, for RGB888, the block size is 3 bytes which also matches the pixel size. In this case, the number of bytes per color bar must be a multiple of 3. The pattern generator is implemented in the CSI-2 transmit clock domain, providing the pattern directly to the CSI-2 transmitter. The circuit generates the CSI-2 formatted data.

### 7.6.2 Fixed Color Patterns

When programmed for fixed color pattern mode, the pattern generator can generate a video image with a programmable fixed data pattern. The basic programming fields for image dimensions are the same as used with the color bar patterns. When sending fixed color patterns, the color bar controls allow the user to alternate between the fixed pattern data and the bit-wise inverse of the fixed pattern data.

The fixed color patterns assume a fixed block size for the byte pattern. The block size is programmable through a register and is designed to support most 8-bit, 10-bit, and 12-bit pixel formats. The block size should be set based on the pixel size converted to blocks that are an integer multiple of bytes. For example, an RGB888 pattern would consist of 3-byte pixels and would therefore require a 3-byte block size. A 2x12-bit pixel image would also require 3-byte block size, while a 3x12-bit pixel image would require 9 bytes (2 pixels) to send an integer number of bytes. Sending a RAW10 pattern typically requires a 5-byte block size for 4 pixels, so 1x10-bit and 2x10-bit could both be sent with a 5-byte block size. For 3x10-bit, a 15-byte block size would be required.

The fixed color patterns support block sizes up to 16 bytes in length, allowing additional options for patterns in some conditions. For example, an RGB888 image could alternate between four different pixels by using a twelve-byte block size. An alternating black and white RGB888 image could be sent with a block size of 6-bytes by setting the first three bytes to 0xFF and the next three bytes to 0x00.

To support up to 16-byte block sizes, a set of sixteen registers are implemented to allow programming the value for each data byte.

### 7.6.3 Packet Generator Programming

The information in this section provides details on how to program the pattern generator to provide a specific color bar pattern, based on datatype, frame size, and line size.

Most basic configuration information is determined directly from the expected video frame parameters. The requirements should include the datatype, frame rate (frames per second), number of active lines per frame, number of total lines per frame (active plus blanking), and number of pixels per line.

- PGEN\_ACT\_LPF – Number of active lines per frame
- PGEN\_TOT\_LPF – Number of total lines per frame

- PGEN\_LSIZE – Video line length size in bytes. Compute based on pixels per line multiplied by pixel size in bytes
- CSI-2 DataType field and VC-ID.
- Optional: PGEN\_VBP – Vertical back porch. This is the number of lines of vertical blanking following Frame Valid.
- Optional: PGEN\_VFP – Vertical front porch. This is the number of lines of vertical blanking preceding Frame Valid.
- PGEN\_LINE\_PD – Line period in 10-ns units. Compute based on Frame Rate and total lines per frame.
- PGEN\_BAR\_SIZE – Color bar size in bytes. Compute based on datatype and line length in bytes (see details below).

### **7.6.3.1 Determining Color Bar Size**

The color bar pattern should be programmed in units of a block or word size dependent on the datatype of the video being sent. The sizes are defined in the MIPI CSI-2 specification. For example, RGB888 requires a 3-byte block size which is the same as the pixel size. RAW10 requires a 5-byte block size which is equal to 4 pixels. RAW12 requires a 3-byte block size which is equal to 2 pixels.

When programming the Pattern Generator, software should compute the required bar size in bytes based on the line size and the number of bars. For the standard 8-color bar pattern, that would require the following algorithm:

- Select the desired datatype, and a valid length for that datatype (in pixels).
- Convert pixels/line to blocks/line (by dividing by the number of pixels/block, as defined in the datatype specification).
- Divide the blocks/line result by the number of color bars (8), giving blocks/bar.
- Round result down to the nearest integer.
- Convert blocks/bar to bytes/bar and program that value into the PGEN\_BAR\_SIZE register.

As an alternative, the blocks/line can be computed by converting pixels/line to bytes/line and dividing by bytes/block.

## 7.6.4 Code Example for Pattern Generator

```
#Patgen RGB888 1920x1080p30 Fixed 8 Colorbar
WriteI2C(0xB0,0x00) # Indirect Pattern Gen Registers
WriteI2C(0xB1,0x01) # PGEN_CTL
WriteI2C(0xB2,0x01)
WriteI2C(0xB1,0x02) # PGEN_CFG
WriteI2C(0xB2,0x33)
WriteI2C(0xB1,0x03) # PGEN_CSI_DI
WriteI2C(0xB2,0x24) # RGB888
WriteI2C(0xB1,0x04) # PGEN_LINE_SIZE1
WriteI2C(0xB2,0x16)
WriteI2C(0xB1,0x05) # PGEN_LINE_SIZE0
WriteI2C(0xB2,0x80)
WriteI2C(0xB1,0x06) # PGEN_BAR_SIZE1
WriteI2C(0xB2,0x02)
WriteI2C(0xB1,0x07) # PGEN_BAR_SIZE0
WriteI2C(0xB2,0xD0)
WriteI2C(0xB1,0x08) # PGEN_ACT_LPF1
WriteI2C(0xB2,0x04)
WriteI2C(0xB1,0x09) # PGEN_ACT_LPF0
WriteI2C(0xB2,0x38)
WriteI2C(0xB1,0x0A) # PGEN_TOT_LPF1
WriteI2C(0xB2,0x04)
WriteI2C(0xB1,0x0B) # PGEN_TOT_LPF0
WriteI2C(0xB2,0x65)
WriteI2C(0xB1,0x0C) # PGEN_LINE_PD1
WriteI2C(0xB2,0x0B)
WriteI2C(0xB1,0x0D) # PGEN_LINE_PDO
WriteI2C(0xB2,0x93)
WriteI2C(0xB1,0x0E) # PGEN_VBP
WriteI2C(0xB2,0x21)
WriteI2C(0xB1,0x0F) # PGEN_VFP
WriteI2C(0xB2,0x0A)
```

## 7.7 Register Maps

In the register definitions under the *TYPE* and *DEFAULT* heading, the following definitions apply:

- R = Read only access
- R/W = Read / Write access
- R/RC = Read only access, Read to Clear
- (R/W)/SC = Read / Write access, Self-Clearing bit
- (R/W)/S = Read / Write access, Set based on strap pin configuration at start-up
- LL = Latched Low and held until read
- LH = Latched High and held until read
- S = Set based on strap pin configuration at start-up

### 7.7.1 I<sup>2</sup>C Device ID Register

**Table 7-11. Device ID Register (Address 0x00)**

BIT	FIELD	TYPE	DEFAULT	DESCRIPTION
7:1	DEVICE_ID	S, R/W	S	7-bit I2C ID of Serializer. This field always indicates the current value of the I2C ID. When bit 0 of this register is 0, this field is read-only and shows the strapped ID. When bit 0 of this register is 1, this field is read/write and can be used to assign any valid I2C ID.
0	SER_ID_OVERRIDE	R/W	0x0	0: Device ID is from strap 1: Register I <sup>2</sup> C Device ID overrides strapped value

### 7.7.2 Reset

**Table 7-12. RESET\_CTL Register (Address 0x01)**

BIT	FIELD	TYPE	DEFAULT	DESCRIPTION
7:3	RESERVED	R/W	0x00	Reserved.
2	RESTART_AUTOLOAD	(R/W)/SC	0x0	Restart ROM Auto-load. Setting this bit to 1 causes a reload of the ROM. This bit is self-clearing.
1	DIGITAL_RESET_1	(R/W)/SC	0x0	Digital Reset 1. Resets the entire digital block including registers. This bit is self-clearing. 1: Reset 0: Normal operation
0	DIGITAL_RESET_0	(R/W)/SC	0x0	Digital Reset 0. Resets the entire digital block except registers. This bit is self-clearing. 1: Reset 0: Normal operation

### 7.7.3 General Configuration

**Table 7-13. General\_CFG (Address 0x02)**

BIT	FIELD	TYPE	DEFAULT	DESCRIPTION
7	RESERVED	R/W	0x0	Reserved.
6	CONTS_CLK	R/W	0x0	CSI-2 Clock Lane Configuration. 0 : Non Continuous Clock 1 : Continuous Clock
5:4	CSI_LANE_SEL	R/W	0x3	CSI-2 Data lane configuration. 00: 1-lane configuration 01: 2-lane configuration 11: 4-lane configuration
3:2	RESERVED	R/W	0x0	Reserved.

**Table 7-13. General\_CFG (Address 0x02) (continued)**

BIT	FIELD	TYPE	DEFAULT	DESCRIPTION
1	CRC_TX_GEN_ENABLE	R/W	0x1	Transmitter CRC Generator. 0: Disable 1: Enable
0	I2C_STRAP_MODE	S, R/W	S	I2C Strap Mode. This field indicates the I2C voltage level of the device. Upon device start-up, this field will display the I2C voltage level setting from the strapped IDX pin. This field is write capable and can be used to assign the I2C voltage level. Programming this bit to change the I2C voltage level should only be performed remotely over the back channel from a connected deserializer. 0: 3.3 V 1: 1.8 V

### 7.7.4 Forward Channel Mode Selection

**Table 7-14. MODE\_SEL (Address 0x03)**

BIT	FIELD	TYPE	DEFAULT	DESCRIPTION
7	RESERVED	R/W	0x0	Reserved.
6	RESERVED	S, R	S	Reserved.
5	RESERVED	R/W	0x0	Reserved.
4	MODE_OV	R/W	0x0	0: Serializer Mode from the strapped MODE pin 1: Register Mode overrides strapped value
3	MODE_DONE	R	0x0	Indicates MODE value has stabilized and been latched.
2:0	MODE	S, R/W	S	This field always indicates the MODE setting of the device. When bit 4 of this register is 0, this field is read-only and shows the Mode Setting. When bit 4 of this register is 1, this field is read/write and can be used to assign MODE. Mode is latched from strap value when PDB transitions LOW to HIGH. Mode of operation: 000: CSI-2 Synchronous Mode 001: Reserved 010: CSI-2 Non-synchronous external clock Mode (Requires a local clock source) 011: CSI-2 Non-synchronous Internal AON Clock 101: DVP External Clock Backward-Compatible Mode (Requires local clock source)

### 7.7.5 BC\_MODE\_SELECT

**Table 7-15. BC\_MODE\_SELECT (Address 0x04)**

BIT	FIELD	TYPE	DEFAULT	DESCRIPTION
7:3	RESERVED	R/W	0x0	Reserved.
2	MODE_OVERWRITE_100m	R/W	0x0	28-bit RAW 10 Mode operation. Backward-compatible RAW 10 DVP mode (28-bit) is automatically configured by the Bidirectional Control Channel once RX lock has been detected. Software may overwrite the value, but must also set the DVP_MODE_OVER_EN to prevent overwriting by the Bidirectional Control Channel.
1	MODE_OVERWRITE_75m	R/W	0x0	28-bit RAW 12 Mode operation. Backward-compatible RAW 12 HF DVP mode (28-bit) is automatically configured by the Bidirectional Control Channel once RX lock has been detected. Software may overwrite the value, but must also set the DVP_MODE_OVER_EN to prevent overwriting by the Bidirectional Control Channel.
0	DVP_MODE_OVER_EN	R/W	0x0	Prevent auto-loading of the backward-compatible DVP mode (28-bit) operation by the Bidirectional Control Channel.

## 7.7.6 PLL Clock Control

**Table 7-16. PLLCLK\_CTRL Register (Address 0x05)**

BIT	FIELD	TYPE	DEFAULT	DESCRIPTION
7	RESERVED	R/W	0x0	Reserved.
6:4	CLKIN_DIV	R/W	0x0	CLKIN clock divide ratio to generate internal reference. 3'b000 : CLKIN Div by 1 3'b001 : CLKIN Div by 2 3'b010 : CLKIN Div by 4 3'b011 : CLKIN Div by 8 3'b100 - 3'b111 : RESERVED
3	OSCCLK_SEL	R/W	0x0	Internally generated OSC clock reference when operating with Non-Synchronous internal clock or external system clock not detected. 0: 24.2 MHz to 25.5 MHz, set for 2 Gbps line rate 1: 48.4 MHz to 51 MHz, set for 3-Gbps line rate in non-synchronous internal clockmode.
2:0	RESERVED	R/W	0x3	Reserved.

## 7.7.7 Clock Output Control 0

The DS90UB935-Q1 provides an option for a programmable reference output clock to meet the system clock input requirements of various sensors. The control of the clock output frequency is set by the input divider and M value in register 0x06 and the N value in register 0x07.

**Table 7-17. CLKOUT\_CTRL0 (Address 0x06)**

BIT	FIELD	TYPE	DEFAULT	DESCRIPTION
7:5	HS_CLK_DIV	R/W	0x2	Clock source of M/N divider is based on the forward channel data rate divided by this register field. 000: Div by 1 001: Div by 2 010: Div by 4 011: Div by 8 100: Div by 16
4:0	DIV_M_VAL	R/W	0x01	M value for M/N divider for CLKOUT. CLKOUT can be programmed using the M/N ratio of an internal high-speed clock to generate a clock output based on the system sensor requirement. When selecting the M/N ratio, they should be set to yield the CLKOUT frequency less than 100 MHz. The M value should be $\geq 0$ . If set to 0, the design will get reset the M internally to default of 1.

## 7.7.8 Clock Output Control 1

The DS90UB935-Q1 provides option for a programmable reference output clock to meet the system clock input requirements of various sensors. The control of the clock output frequency is set by the input divider and M value in register 0x06 and the N value in register 0x07.

**Table 7-18. CLKOUT\_CTRL1 (Address 0x07)**

BIT	FIELD	TYPE	DEFAULT	DESCRIPTION
7:0	DIV_N_VAL	R/W	0x28	N value for M/N divider for CLKOUT. CLKOUT can be programmed using the M/N ratio of an internal high-speed clock to generate a clock output based on the system sensor requirement. When selecting the M/N ratio, they should be set to yield the CLKOUT frequency less than 100 MHz. N must be set to non-zero value.



### 7.7.9 Back Channel Watchdog Control

**Table 7-19. BCC\_WATCHDOG (Address 0x08)**

BIT	FIELD	TYPE	DEFAULT	DESCRIPTION
7:1	BCC_WD_TIMER	R/W	0x7F	BCC_WD_TIMER sets the Bidirectional Control Channel Watchdog Timeout value in units of 2 milliseconds. This field should not be set to 0. The watchdog timer allows termination of a control channel transaction if it fails to complete within a programmed amount of time.
0	BCC_WD_TIMER_DISABLE	R/W	0x0	Disable Bidirectional Control Channel Watchdog Timer. 1: Disables BCC Watchdog Timer operation 0: Enables BCC Watchdog Timer operation

### 7.7.10 I2C Control 1

**Table 7-20. I2C\_CONTROL1 (Address 0x09)**

BIT	FIELD	TYPE	DEFAULT	DESCRIPTION
7	LCL_WRITE_DISABLE	R/W	0x0	Disable Remote Writes to Local Registers. Setting this bit to a 1 prevents remote writes to local device registers from across the control channel. This prevents writes to the Serializer registers from an I <sup>2</sup> C master attached to the deserializer. Setting this bit does not affect remote access to I <sup>2</sup> C slaves at the Serializer.
6:4	I2C_SDA_HOLD	R/W	0x1	Internal SDA Hold Time. This field configures the amount of internal hold time provided for the SDA input relative to the SCL input. Units are 50 nanoseconds.
3:0	I2C_FILTER_DEPTH	R/W	0xE	I2C Glitch Filter Depth. This field configures the maximum width of glitch pulses on the SCL and SDA inputs that are rejected. Units are 5 nanoseconds.

### 7.7.11 I2C Control 2

**Table 7-21. I2C\_CONTROL2 (Address 0x0A)**

BIT	FIELD	TYPE	DEFAULT	DESCRIPTION
7:4	SDA_OUTPUT_SETUP	R/W	0x1	Remote Ack SDA Output Setup. When a Control Channel (remote) access is active, this field configures setup time from the SDA output relative to the rising edge of SCL during ACK cycles. Setting this value increases setup time in units of 640 ns. The nominal output setup time value for SDA to SCL when this field is 0 is 80 ns.
3:2	SDA_OUTPUT_DELAY	R/W	0x0	SDA Output Delay. This field configures additional delay on the SDA output relative to the falling edge of SCL. Setting this value increases output delay in units of 40 ns. Nominal output delay values for SCL to SDA are: 00 : 240 ns 01: 280 ns 10: 320 ns 11: 360 ns
1	I2C_BUS_TIMER_SPEEDUP	R/W	0x0	Speed up I <sup>2</sup> C Bus Watchdog Timer. 1: Watchdog Timer expires after approximately 50 microseconds 0: Watchdog Timer expires after approximately 1 second.
0	I2C_BUS_TIMER_DISABLE	R/W	0x0	Disable I <sup>2</sup> C Bus Watchdog Timer. When the I <sup>2</sup> C Bus Watchdog Timer may be used to detect when the I <sup>2</sup> C bus is free or hung up following an invalid termination of a transaction. If SDA is high and no signalling occurs for approximately 1 second, the I <sup>2</sup> C bus is assumed free. If SDA is low and no signaling occurs, the device attempts to clear the bus by driving 9 clocks on SCL.

### 7.7.12 SCL High Time

**Table 7-22. SCL\_HIGH\_TIME (Address 0x0B)**

BIT	FIELD	TYPE	DEFAULT	DESCRIPTION
7:0	SCL_HIGH_TIME	R/W	0x7F	I <sup>2</sup> C Master SCL High Time. This field configures the high pulse width of the SCL output when the Serializer is the Master on the local I <sup>2</sup> C bus. Units are 38.1 ns for the nominal oscillator clock frequency of 26.25 MHz. The default value is set to provide a minimum 5- $\mu$ s SCL high time with the internal oscillator clock running at 26.25 MHz. Delay includes 5 additional oscillator clock periods. Min_delay = 38.0952 ns $\times$ (SCL_HIGH_TIME + 5)

### 7.7.13 SCL Low Time

**Table 7-23. SCL\_LOW\_TIME (Address 0x0C)**

BIT	FIELD	TYPE	DEFAULT	DESCRIPTION
7:0	SCL_LOW_TIME	R/W	0x7F	I <sup>2</sup> C SCL Low Time. This field configures the low pulse width of the SCL output when the Serializer is the Master on the local I <sup>2</sup> C bus. This value is also used as the SDA setup time by the I <sup>2</sup> C Slave for providing data prior to releasing SCL during accesses over the Bidirectional Control Channel. Units are 38.1 ns for the nominal oscillator clock frequency of 26.25 MHz. The default value is set to provide a minimum 5- $\mu$ s SCL low time with the internal oscillator clock running at 26.25 MHz. Delay includes 5 additional clock periods. Min_delay = 38.0952 ns $\times$ (SCL_LOW_TIME + 5)

### 7.7.14 Local GPIO DATA

**Table 7-24. LOCAL\_GPIO\_DATA (Address 0x0D)**

BIT	FIELD	TYPE	DEFAULT	DESCRIPTION
7:4	GPIO_RMTEN	R/W	0xF	Enable remote deserializer GPIO data on local GPIO. Bit 7: Enable remote GPIO3 when this bit is set to 1 Bit 6: Enable remote GPIO2 when this bit is set to 1 Bit 5: Enable remote GPIO1 when this bit is set to 1 Bit 4: Enable remote GPIO0 when this bit is set to 1
3:0	GPIO_OUT_SRC	R/W	0x0	GPIO Output Source. This register sets the logical output of 4 GPIOs, GPIO_RMTEN must be disabled and GPIOx_OUT_EN must be enabled. Bit 3: write 0/1 on GPIO3 Bit 2: write 0/1 on GPIO2 Bit 1: write 0/1 on GPIO1 Bit 0: write 0/1 on GPIO0

### 7.7.15 GPIO Input Control

**Table 7-25. GPIO\_INPUT\_CTRL (Address 0x0E)**

BIT	FIELD	TYPE	DEFAULT	DESCRIPTION
7	GPIO3_OUT_EN	R/W	0x0	GPIO3 Output Enable. 0: Disabled 1: Enabled
6	GPIO2_OUT_EN	R/W	0x0	GPIO2 Output Enable. 0: Disabled 1: Enabled
5	GPIO1_OUT_EN	R/W	0x0	GPIO1 Output Enable. 0: Disabled 1: Enabled
4	GPIO0_OUT_EN	R/W	0x0	GPIO0 Output Enable. 0: Disabled 1: Enabled

**Table 7-25. GPIO\_INPUT\_CTRL (Address 0x0E) (continued)**

BIT	FIELD	TYPE	DEFAULT	DESCRIPTION
3	GPIO3_INPUT_EN	R/W	0x1	GPIO3 Input Enable. 0: Disabled 1: Enabled
2	GPIO2_INPUT_EN	R/W	0x1	GPIO2 Input Enable. 0: Disabled 1: Enabled
1	GPIO1_INPUT_EN	R/W	0x1	GPIO1 Input Enable. 0: Disabled 1: Enabled
0	GPIO0_INPUT_EN	R/W	0x1	GPIO0 Input Enable. 0: Disabled 1: Enabled

### 7.7.16 RESERVED Register

**Table 7-26. RESERVED (Address 0x0F)**

BIT	FIELD	TYPE	DEFAULT	DESCRIPTION
7:4	RESERVED	R	0x0	Reserved.
3:0	RESERVED	R/W	0x0	Reserved.

### 7.7.17 DVP\_CFG

**Table 7-27. DVP\_CFG (Address 0x10)**

BIT	FIELD	TYPE	DEFAULT	DESCRIPTION
7:5	RESERVED	R/W	0x0	Reserved.
4	DVP_DT_ANY_EN	R/W	0x0	When asserted, allows any packet with a Long data type (DT) packet through DVP.
3	DVP_DT_MATCH_EN	R/W	0x0	When asserted, allows data type matching based on the value in the DVP_DT register. Note: When this bit is asserted, writes to the DVP_DT register are blocked.
2	DVP_DT_YUV_EN	R/W	0x0	When asserted, allows YUV 10-bit DTs through DVP when mode_100m is also asserted (YUV 10-bit DTs are 0x19, 0x1d, and 0x1f).
1	DVP_FV_IN	R/W	0x0	Invert Frame Valid Polarity.
0	DVP_LV_INV	R/W	0x0	Invert Line Valid Polarity.

### 7.7.18 DVP\_DT

**Table 7-28. DVP\_DT (Address 0x11)**

BIT	FIELD	TYPE	DEFAULT	DESCRIPTION
7:6	RESERVED	R/W	0x0	Reserved.
5:0	DVP_DT_MATCH_VAL	R/W	0x0	When the DVP_CFG.dvp_dt_match_en is asserted, the DVP block will allow packets with this DT through regardless of the mode_75m or mode_100m setting. The DT value must be a Long DT value (either bit 5 or 4 must be set) for a match to occur.

### 7.7.19 RESERVED Register

**Table 7-29. RESERVED (Address 0x12)**

BIT	FIELD	TYPE	DEFAULT	DESCRIPTION
7:0	RESERVED	R/W	0x00	Reserved.

### 7.7.20 Force BIST Error

**Table 7-30. FORCE\_BIST\_ERR (Address 0x13)**

BIT	FIELD	TYPE	DEFAULT	DESCRIPTION
7	FORCE_FC_ERR	SC	0x0	FORCE_ERR_CNT allows forcing a number of forward channel parity errors based on the value in FORCE_FC_CNT. When in BIST mode, the parity errors will be generated automatically upon entering BIST mode. When in normal operation this bit must be set to one to inject the parity errors. 0: Force Disabled 1: Force Enabled
6:0	FORCE_FC_CNT	R/W	0x00	Force Error Count. Set this value to the desired number of forced parity errors.

### 7.7.21 Remote BIST Control

**Table 7-31. REMOTE\_BIST\_CTRL (Address 0x14)**

BIT	FIELD	TYPE	DEFAULT	DESCRIPTION
7:4	FORCE_ERR_CNT	R/W	0x0	Set to force FC error based on the FORCE_ERR_CNT. 0: Force Disabled 1: Force Enabled
3	LOCAL_BIST_EN	R/W	0x0	Force DS90UB935-Q1 to Enter BIST Mode.
2:1	BIST_CLOCK	R/W	0x0	BIST clock source selection. 00: External/System clock 01: 50 MHz internal clock 1X: 25 MHz internal clock
0	REMOTE_BIST_EN	R/W	0x0	Backward-Compatible Remote BIST Enable Register.

### 7.7.22 Sensor Voltage Gain

**Table 7-32. SENSOR\_VGAIN (Address 0x15)**

BIT	FIELD	TYPE	DEFAULT	DESCRIPTION
7	RESERVED	R/W	0x0	Reserved.
6:0	VOLT_GAIN	R/W	0x20	Voltage Sensor Gain Setting. VOLT_GAIN = (128 / REG_VALUE). 0x40 = Gain of 2 0x20 = Gain of 4 0x10 = Gain of 8

### 7.7.23 RESERVED Register

**Table 7-33. RESERVED (Address 0x16)**

BIT	FIELD	TYPE	DEFAULT	DESCRIPTION
7:0	RESERVED	R/W	0x18	Reserved.

### 7.7.24 Sensor Control 0

**Table 7-34. SENSOR\_CTRL0 (Address 0x17)**

BIT	FIELD	TYPE	DEFAULT	DESCRIPTION
7:4	RESERVED	R/W	0x0	Reserved.
3:2	SENSOR_ENABLE	R/W	0x3	Temperature and Voltage Sensor Enable. 00: Disabled 11: Enabled
1:0	SENSE_V_GPIO	R/W	0x0	Enable GPIO 0/1 for input Voltage Sensor 0/1 measurement. 00: No voltage sensing 01: GPIO0 Voltage Sensing 10: GPIO1 Voltage Sensing 11: GPIO0 and GPIO1 Voltage Sensing

### 7.7.25 Sensor Control 1

**Table 7-35. SENSOR\_CTRL1 (Address 0x18)**

BIT	FIELD	TYPE	DEFAULT	DESCRIPTION
7	SENSE_GAIN_EN	R/W	0x1	Enable Gain Setting of the Sensor.
6:0	RESERVED	R/W	0x00	Reserved.

### 7.7.26 Voltage Sensor 0 Thresholds

**Table 7-36. SENSOR\_V0\_THRESH (Address 0x19)**

BIT	FIELD	TYPE	DEFAULT	DESCRIPTION
7	RESERVED	R/W	0x0	Reserved.
6:4	SENSE_V0_HI	R/W	0x6	GPIO0/V0 sensor upper limit. When the GPIO0 is configured as a voltage sensor, and the voltage measured is above the SENSE_V0_HI, it triggers the V0_SENSOR_HI alarm in the SENSOR_STATUS register.
3	RESERVED	R/W	0x0	Reserved.
2:0	SENSE_V0_LO	R/W	0x2	GPIO0/V0 sensor lower limit. When the GPIO0 is configured as a voltage sensor, and the voltage measured is below the SENSE_V0_LO, it triggers the V0_SENSOR_LOW alarm in the SENSOR_STATUS register.

### 7.7.27 Voltage Sensor 1 Thresholds

**Table 7-37. SENSOR\_V1\_THRESH (Address 0x1A)**

BIT	FIELD	TYPE	DEFAULT	DESCRIPTION
7	RESERVED	R/W	0x0	Reserved.
6:4	SENSE_V1_HI	R/W	0x6	GPIO1/V1 alarm upper limit. When the GPIO1 is configured as a voltage sensor, V1_MAX sets the upper limit for V1_SENSOR_HI status to be triggered.
3	RESERVED	R/W	0x0	Reserved.
2:0	SENSE_V1_LO	R/W	0x2	GPIO1/V1 alarm lower limit. When the GPIO1 is configured as a voltage sensor, V1_MIN sets the lower limit for V1_SENSOR_LOW status to be triggered.

### 7.7.28 Temperature Sensor Thresholds

**Table 7-38. SENSOR\_T\_THRESH (Address 0x1B)**

BIT	FIELD	TYPE	DEFAULT	DESCRIPTION
7	RESERVED	R/W	0x0	Reserved.
6:4	SENSE_T_HI	R/W	0x6	Temp sensor upper threshold. When the Temp sensor is enabled, and the temperature measured above the SENSE_T_HI limit, it triggers the T_SENSOR_HI alarm in SENSOR_STATUS.
3	RESERVED	R/W	0x0	Reserved.
2:0	SENSE_T_LO	R/W	0x2	Temp sensor lower threshold. When the Temp sensor is enabled, and the temperature measured below the SENSE_T_LO limit, it triggers the T_SENSOR_LOW alarm in SENSOR_STATUS.

### 7.7.29 CSI-2 Alarm Enable

**Table 7-39. ALARM\_CSI\_EN (Address 0x1C)**

BIT	FIELD	TYPE	DEFAULT	DESCRIPTION
7:6	RESERVED	R/W	0x0	Reserved.
5	CSI_NO_FV_EN	R/W	0x1	CSI-2 No Frame Valid Alarm Enable. 1: Enabled 0: Disabled

**Table 7-39. ALARM\_CSI\_EN (Address 0x1C) (continued)**

BIT	FIELD	TYPE	DEFAULT	DESCRIPTION
4	DPHY_SYNC_ERR_EN	R/W	0x1	DPHY_SYNC_ERR Alarm Enable. 1: Enabled 0: Disabled
3	DPHY_CTRL_ERR_EN	R/W	0x1	DPHY_CTRL_ERR Alarm Enable. 1: Enabled 0: Disabled
2	CSI_ECC_2_EN	R/W	0x1	CSI_ECC2 Alarm Enable. 1: Enabled 0: Disabled
1	CSI_CHKSUM_ERR_EN	R/W	0x1	CSI-2 Checksum Error Alarm Enable. 1: Enabled 0: Disabled
0	CSI_LENGTH_ERR_EN	R/W	0x1	CSI-2 Length Error Alarm Enable. 1: Enabled 0: Disabled

**7.7.30 Alarm Sense Enable****Table 7-40. ALARM\_SENSE\_EN (Address 0x1D)**

BIT	FIELD	TYPE	DEFAULT	DESCRIPTION
7:6	RESERVED	R/W	0x0	Reserved.
5	T_OVER	R/W	0x0	Enable Temp Sensor over the high limit alarm.
4	T_UNDER	R/W	0x0	Enable Temp Sensor under the low limit alarm.
3	V1_OVER	R/W	0x0	Enable Voltage1 Sensor over the high limit alarm.
2	V1_UNDER	R/W	0x0	Enable Voltage1 Sensor under the low limit alarm.
1	V0_OVER	R/W	0x0	Enable Voltage0 Sensor over the high limit alarm.
0	V0_UNDER	R/W	0x0	Enable Voltage0 Sensor under the low limit alarm.

**7.7.31 Back Channel Alarm Enable****Table 7-41. ALARM\_BC\_EN (Address 0x1E)**

BIT	FIELD	TYPE	DEFAULT	DESCRIPTION
7:2	RESERVED	R/W	0x0	Reserved.
1	CRC_ERR_EN	R/W	0x0	Enable CRC_ERR alarm.
0	LINK_DETECT_EN	R/W	0x0	Enable LINK_DETECT alarm.

**7.7.32 RESERVED Register****Table 7-42. RESERVED (Address 0x1F)**

BIT	FIELD	TYPE	DEFAULT	DESCRIPTION
7:0	RESERVED	R/W	0x00	Reserved.

**7.7.33 CSI-2 Polarity Select**

The CSI-2 Polarity Select register allows for changing P/N input polarity for each data lane.

**Table 7-43. CSI\_POL\_SEL (Address 0x20)**

BIT	FIELD	TYPE	DEFAULT	DESCRIPTION
7:5	RESERVED	R	0x0	Reserved.
4	POLARITY_CLK0	R/W	0x0	CSI-2 CLK lane 0 Polarity.
3	POLARITY_D3	R/W	0x0	CSI-2 Data lane 3 Polarity.
2	POLARITY_D2	R/W	0x0	CSI-2 Data lane 2 Polarity.
1	POLARITY_D1	R/W	0x0	CSI-2 Data lane 1 Polarity.

**Table 7-43. CSI\_POL\_SEL (Address 0x20) (continued)**

BIT	FIELD	TYPE	DEFAULT	DESCRIPTION
0	POLARITY_D0	R/W	0x0	CSI-2 Data lane 0 Polarity.

### 7.7.34 CSI-2 LP Mode Polarity

The CSI-2 LP Mode Polarity register allows for changing polarity for all clocks and data lanes in Low power mode.

**Table 7-44. CSI\_LP\_POLARITY (Address 0x21)**

BIT	FIELD	TYPE	DEFAULT	DESCRIPTION
7:5	RESERVED	R/W	0x0	Reserved.
4	POL_LP_CLK0	R/W	0x0	LP CSI-2 Clock lane Polarity.
3:0	POL_LP_DATA	R/W	0x0	LP CSI-2 Data lane Polarity.

### 7.7.35 CSI-2 High-Speed RX Enable

The CSI-2 High Speed RX Enable register is intended for system debugging and should be set to 0x00 for normal operation.

**Table 7-45. CSI\_EN\_HSRX (Address 0x22)**

BIT	FIELD	TYPE	DEFAULT	DESCRIPTION
7	RESERVED	R	0x0	Reserved.
6:0	RESERVED	R/W	0x00	Reserved.

### 7.7.36 CSI-2 Low Power Enable

The CSI-2 Low Power Enable register is intended for system debugging.

**Table 7-46. CSI\_EN\_LPRX (Address 0x23)**

BIT	FIELD	TYPE	DEFAULT	DESCRIPTION
7	RESERVED	R	0x0	Reserved.
6:0	RESERVED	R/W	0x00	Reserved.

### 7.7.37 CSI-2 Termination Enable

The CSI-2 Termination Enable register is intended for system debugging.

**Table 7-47. CSI\_EN\_RXTERM (Address 0x24)**

BIT	FIELD	TYPE	DEFAULT	DESCRIPTION
7:4	RESERVED	R/W	0x0	Reserved.
3	EN_RXTERM_D3	R/W	0x0	Reserved.
2	EN_RXTERM_D2	R/W	0x0	Reserved.
1	EN_RXTERM_D1	R/W	0x0	Reserved.
0	EN_RXTERM_D0	R/W	0x0	Reserved.

### 7.7.38 RESERVED Register

**Table 7-48. RESERVED (Address 0x25)**

BIT	FIELD	TYPE	DEFAULT	DESCRIPTION
7	RESERVED	R	0x0	Reserved.
6:4	RESERVED	R/W	0x0	Reserved.
3	RESERVED	R	0x0	Reserved.
2:0	RESERVED	R/W	0x2	Reserved.

### 7.7.39 RESERVED Register

**Table 7-49. RESERVED (Address 0x26)**

BIT	FIELD	TYPE	DEFAULT	DESCRIPTION
7	RESERVED	R	0x0	Reserved.
6:4	RESERVED	R/W	0x0	Reserved.
3	RESERVED	R	0x0	Reserved.
2:0	RESERVED	R/W	0x0	Reserved.

### 7.7.40 RESERVED Register

**Table 7-50. RESERVED (Address 0x27)**

BIT	FIELD	TYPE	DEFAULT	DESCRIPTION
7:3	RESERVED	R	0x00	Reserved.
2:0	RESERVED	R/W	0x0	Reserved.

### 7.7.41 RESERVED Register

**Table 7-51. RESERVED (Address 0x28)**

BIT	FIELD	TYPE	DEFAULT	DESCRIPTION
7	RESERVED	R	0x0	Reserved.
6:4	RESERVED	R/W	0x0	Reserved.
3	RESERVED	R	0x0	Reserved.
2:0	RESERVED	R/W	0x7	Reserved.

### 7.7.42 RESERVED Register

**Table 7-52. RESERVED (Address 0x29)**

BIT	FIELD	TYPE	DEFAULT	DESCRIPTION
7	RESERVED	R	0x0	Reserved.
6:4	RESERVED	R/W	0x3	Reserved.
3	RESERVED	R	0x0	Reserved.
2:0	RESERVED	R/W	0x3	Reserved.

### 7.7.43 RESERVED Register

**Table 7-53. RESERVED (Address 0x2A)**

BIT	FIELD	TYPE	DEFAULT	DESCRIPTION
7	RESERVED	R	0x0	Reserved.
6:4	RESERVED	R/W	0x0	Reserved.
3	RESERVED	R	0x0	Reserved.
2:0	RESERVED	R/W	0x1	Reserved.

### 7.7.44 RESERVED Register

**Table 7-54. RESERVED (Address 0x2B-0x2D)**

BIT	FIELD	TYPE	DEFAULT	DESCRIPTION
7	RESERVED	R	0x0	Reserved.
6:4	RESERVED		0x0	Reserved.
3	RESERVED	R	0x0	Reserved.
2:0	RESERVED		0x0	Reserved.



### 7.7.45 RESERVED Register

**Table 7-55. RESERVED (Address 0x2E-0x30)**

BIT	FIELD	TYPE	DEFAULT	DESCRIPTION
7:0	RESERVED	R/W	0x00	Reserved.

### 7.7.46 CSI-2 Packet Header Control

**Table 7-56. CSI\_PKT\_HDR\_TINIT\_CTRL (Address 0x31)**

BIT	FIELD	TYPE	DEFAULT	DESCRIPTION
7:6	PKT_HDR_SEL_VC	R/W	0x0	For interleaved VC packet select the VC ID to display the packet header. This is effective only if bit4 is set high (PKT_HDR_VCI_ENABLE).
5	PKT_HDR_CORRECTED	R/W	0x1	1: Displays the corrected CSI-2 packet header (in case of error) sent to the receiver 0: Displays the received CSI-2 packet header from imager
4	PKT_HDR_VCI_ENABLE	R/W	0x0	Enable the CSI-2 packet header selection based on VC for interleaved mode. For interleaved VC packet set this bit to record the packet headers for each VC. For regular data packet ignore this bit.
3	RESERVED	R/W	0x0	Reserved.
2:0	TINIT_TIME	R/W	0x0	CSI-2 Initial Time after power up. Any LP control data are ignored during this time for all CSI-2 lanes. 000 = 100 $\mu$ s 001 = 200 $\mu$ s 010 = 300 $\mu$ s 111 = 800 $\mu$ s and so forth.

### 7.7.47 Back Channel Configuration

**Table 7-57. BCC\_CONFIG (Address 0x32)**

BIT	FIELD	TYPE	DEFAULT	DESCRIPTION
7	I2C_PASS_THROUGH_ALL	R/W	0x0	I2C Pass-Through All Transactions. 0: Disabled 1: Enabled
6	I2C_PASS_THROUGH	R/W	0x0	I2C Pass-Through to Deserializer if decode matches. 0: Pass-Through Disabled 1: Pass-Through Enabled
5	AUTO_ACK_ALL	R/W	0x0	Automatically Acknowledge all I2C writes independent of the forward channel lock state or status of the remote Acknowledge. 1: Enable 0: Disable
4	RESERVED	R/W	0x0	Reserved.
3	RX_PARITY_CHECKER_ENABLE	R/W	0x1	Parity Checker Enable. 0: Disable 1: Enable
2	RESERVED	R/W	0x0	Reserved.
1	RESERVED	R/W	0x0	Reserved.
0	RESERVED	R/W	0x1	Reserved.

### 7.7.48 Datapath Control 1

**Table 7-58. DATAPATH\_CTL1 (Address 0x33)**

BIT	FIELD	TYPE	DEFAULT	DESCRIPTION
7:3	RESERVED	R/W	0x00	Reserved.

**Table 7-58. DATAPATH\_CTL1 (Address 0x33) (continued)**

BIT	FIELD	TYPE	DEFAULT	DESCRIPTION
2	DCA_CRC_EN	R/W	0x1	DCA CRC Enable. If set to a 1, the Forward Channel sends a CRC as part of the DCA sequence. The DCA CRC protects the first 8 bytes of the DCA sequence. The CRC is sent as the 9th byte.
1:0	FC_GPIO_EN	R/W	0x0	Forward Channel GPIO Enable. Configures the number of enabled forward channel GPIOs. 00: GPIOs disabled 01: One GPIO 10: Two GPIOs 11: Four GPIOs

**7.7.49 RESERVED Register****Table 7-59. RESERVED (Address 0x34)**

BIT	FIELD	TYPE	DEFAULT	DESCRIPTION
7:4	RESERVED	R/W	0x0	Reserved.
3	RESERVED	R/W	0x0	Reserved.
2	RESERVED	R/W	0x0	Reserved.
1:0	RESERVED	R/W	0x0	Reserved.

**7.7.50 Remote Partner Capabilities 1****Table 7-60. REMOTE\_PAR\_CAP1 (Address 0x35)**

BIT	FIELD	TYPE	DEFAULT	DESCRIPTION
7	FREEZE_DES_CAP	R/W	0x0	Freeze Partner Capabilities. Prevent auto-loading of the Partner Capabilities by the Bidirectional Control Channel. The Capabilities are frozen at the values written in registers 0x1E and 0x1F.
6	RESERVED	R/W	0x0	Reserved.
5	BIST_EN	R/W	0x0	Link BIST Enable. This bit indicates the remote partner is requesting BIST operation over the FPD-Link III interface. This field is automatically configured by the Bidirectional Control Channel once back channel link has been detected. Software may overwrite this value, but must also set the FREEZE_DES_CAP bit to prevent overwriting by the Bidirectional Control Channel.
4	MPORT	R/W	0x0	Remote Partner Multi-Port capable. 0 : Remote partner is a single-port deserializer device 1 : Remote partner is a multi-port deserializer device This field is automatically configured by the Bidirectional Control Channel once back channel link has been detected. Software may overwrite this value, but must also set the FREEZE_DES_CAP bit to prevent overwriting by the Bidirectional Control Channel.
3:0	PORT_NUM	R/W	0x0	Remote Partner port number. When connected to a multi-port device, this field indicates the port number to which the Serializer is connected. This field is automatically configured by the Bidirectional Control Channel once back channel link has been detected. Software may overwrite this value, but must also set the FREEZE_DES_CAP bit to prevent overwriting by the Bidirectional Control Channel.

**7.7.51 RESERVED Register****Table 7-61. RESERVED (Address 0x36)**

BIT	FIELD	TYPE	DEFAULT	DESCRIPTION
7:0	RESERVED	R/W	0x00	Reserved.

### 7.7.52 Partner Deserializer ID

**Table 7-62. DES\_ID (Address 0x37)**

BIT	FIELD	TYPE	DEFAULT	DESCRIPTION
7:1	DES_ID	R/W	0x3D	Remote Deserializer ID. This field is normally loaded automatically from the remote Deserializer.
0	FREEZE_DEVICE_ID	R/W	0x0	Freeze Deserializer Device ID. Prevent auto-loading of the Deserializer Device ID from the back channel. The ID is frozen at the value written.

### 7.7.53 RESERVED Register

**Table 7-63. RESERVED (Address 0x38)**

BIT	FIELD	TYPE	DEFAULT	DESCRIPTION
7:0	RESERVED	R/W	0x00	Reserved.

### 7.7.54 Slave 0 ID

**Table 7-64. SLAVE\_ID\_0 (Address 0x39)**

BIT	FIELD	TYPE	DEFAULT	DESCRIPTION
7:1	SLAVE_ID_0	R/W	0x00	7-bit Remote Slave Device ID 0. Configures the physical I <sup>2</sup> C address of the remote I <sup>2</sup> C Slave device attached to the remote Deserializer. If an I <sup>2</sup> C transaction is addressed to the Slave Alias ID0, the transaction is remapped to this address before passing the transaction across the Bidirectional Control Channel to the Deserializer.
0	RESERVED	R	0x0	Reserved.

### 7.7.55 Slave 1 ID

**Table 7-65. SLAVE\_ID\_1 (Address 0x3A)**

BIT	FIELD	TYPE	DEFAULT	DESCRIPTION
7:1	SLAVE_ID_1	R/W	0x00	7-bit Remote Slave Device ID 1. Configures the physical I <sup>2</sup> C address of the remote I <sup>2</sup> C Slave device attached to the remote Deserializer. If an I <sup>2</sup> C transaction is addressed to the Slave Alias ID1, the transaction is remapped to this address before passing the transaction across the Bidirectional Control Channel to the Deserializer.
0	RESERVED	R	0x0	Reserved.

### 7.7.56 Slave 2 ID

**Table 7-66. SLAVE\_ID\_2 (Address 0x3B)**

BIT	FIELD	TYPE	DEFAULT	DESCRIPTION
7:1	SLAVE_ID_2	R/W	0x00	7-bit Remote Slave Device ID 2. Configures the physical I <sup>2</sup> C address of the remote I <sup>2</sup> C Slave device attached to the remote Deserializer. If an I <sup>2</sup> C transaction is addressed to the Slave Alias ID2, the transaction is remapped to this address before passing the transaction across the Bidirectional Control Channel to the Deserializer.
0	RESERVED	R	0x0	Reserved.

**7.7.57 Slave 3 ID****Table 7-67. SLAVE\_ID\_3 (Address 0x3C)**

BIT	FIELD	TYPE	DEFAULT	DESCRIPTION
7:1	SLAVE_ID_3	R/W	0x00	7-bit Remote Slave Device ID 3. Configures the physical I <sup>2</sup> C address of the remote I <sup>2</sup> C Slave device attached to the remote Deserializer. If an I <sup>2</sup> C transaction is addressed to the Slave Alias ID3, the transaction is remapped to this address before passing the transaction across the Bidirectional Control Channel to the Deserializer.
0	RESERVED	R	0x0	Reserved.

**7.7.58 Slave 4 ID****Table 7-68. SLAVE\_ID\_4 (Address 0x3D)**

BIT	FIELD	TYPE	DEFAULT	DESCRIPTION
7:1	SLAVE_ID_4	R/W	0x00	7-bit Remote Slave Device ID 4. Configures the physical I <sup>2</sup> C address of the remote I <sup>2</sup> C Slave device attached to the remote Deserializer. If an I <sup>2</sup> C transaction is addressed to the Slave Alias ID4, the transaction is remapped to this address before passing the transaction across the Bidirectional Control Channel to the Deserializer.
0	RESERVED	R	0x0	Reserved.

**7.7.59 Slave 5 ID****Table 7-69. SLAVE\_ID\_5 (Address 0x3E)**

BIT	FIELD	TYPE	DEFAULT	DESCRIPTION
7:1	SLAVE_ID_5	R/W	0x00	7-bit Remote Slave Device ID 5. Configures the physical I <sup>2</sup> C address of the remote I <sup>2</sup> C Slave device attached to the remote Deserializer. If an I <sup>2</sup> C transaction is addressed to the Slave Alias ID5, the transaction is remapped to this address before passing the transaction across the Bidirectional Control Channel to the Deserializer.
0	RESERVED	R	0x0	Reserved.

**7.7.60 Slave 6 ID****Table 7-70. SLAVE\_ID\_6 (Address 0x3F)**

BIT	FIELD	TYPE	DEFAULT	DESCRIPTION
7:1	SLAVE_ID_6	R/W	0x00	7-bit Remote Slave Device ID 6. Configures the physical I <sup>2</sup> C address of the remote I <sup>2</sup> C Slave device attached to the remote Deserializer. If an I <sup>2</sup> C transaction is addressed to the Slave Alias ID6, the transaction is remapped to this address before passing the transaction across the Bidirectional Control Channel to the Deserializer.
0	RESERVED	R	0x0	Reserved.

**7.7.61 Slave 7 ID****Table 7-71. SLAVE\_ID\_7 (Address 0x40)**

BIT	FIELD	TYPE	DEFAULT	DESCRIPTION
7:1	SLAVE_ID_7	R/W	0x00	7-bit Remote Slave Device ID 7. Configures the physical I <sup>2</sup> C address of the remote I <sup>2</sup> C Slave device attached to the remote Deserializer. If an I <sup>2</sup> C transaction is addressed to the Slave Alias ID7, the transaction is remapped to this address before passing the transaction across the Bidirectional Control Channel to the Deserializer.
0	RESERVED	R	0x0	Reserved.

### 7.7.62 Slave 0 Alias

**Table 7-72. SLAVE\_ID\_ALIAS\_0 (Address 0x41)**

BIT	FIELD	TYPE	DEFAULT	DESCRIPTION
7:1	SLAVE_ID_ALIAS_0	R/W	0x00	7-bit Remote Slave Device Alias ID 0. Configures the decoder for detecting transactions designated for an I <sup>2</sup> C Slave device attached to the remote Deserializer. The transaction is remapped to the address specified in the Slave ID0 register. A value of 0 in this field disables access to the remote I <sup>2</sup> C Slave.
0	SLAVE_AUTO_ACK_0	R/W	0x0	Automatically Acknowledge all I2C writes to the remote Slave 0 independent of the forward channel lock state or status of the remote Deserializer Acknowledge. 1: Enable 0: Disable This is intended for debugging only and not recommended for normal operation.

### 7.7.63 Slave 1 Alias

**Table 7-73. SLAVE\_ID\_ALIAS\_1 (Address 0x42)**

BIT	FIELD	TYPE	DEFAULT	DESCRIPTION
7:1	SLAVE_ID_ALIAS_1	R/W	0x00	7-bit Remote Slave Device Alias ID 1. Configures the decoder for detecting transactions designated for an I <sup>2</sup> C Slave device attached to the remote Deserializer. The transaction is remapped to the address specified in the Slave ID1 register. A value of 0 in this field disables access to the remote I <sup>2</sup> C Slave.
0	SLAVE_AUTO_ACK_1	R/W	0x0	Automatically Acknowledge all I2C writes to the remote Slave 1 independent of the forward channel lock state or status of the remote Deserializer Acknowledge. 1: Enable 0: Disable This is intended for debugging only and not recommended for normal operation.

### 7.7.64 Slave 2 Alias

**Table 7-74. SLAVE\_ID\_ALIAS\_2 (Address 0x43)**

BIT	FIELD	TYPE	DEFAULT	DESCRIPTION
7:1	SLAVE_ID_ALIAS_2	R/W	0x00	7-bit Remote Slave Device Alias ID 2. Configures the decoder for detecting transactions designated for an I <sup>2</sup> C Slave device attached to the remote Deserializer. The transaction is remapped to the address specified in the Slave ID2 register. A value of 0 in this field disables access to the remote I <sup>2</sup> C Slave.
0	SLAVE_AUTO_ACK_2	R/W	0x0	Automatically Acknowledge all I2C writes to the remote Slave 2 independent of the forward channel lock state or status of the remote Deserializer Acknowledge. 1: Enable 0: Disable This is intended for debugging only and not recommended for normal operation.

### 7.7.65 Slave 3 Alias

**Table 7-75. SLAVE\_ID\_ALIAS\_3 (Address 0x44)**

BIT	FIELD	TYPE	DEFAULT	DESCRIPTION
7:1	SLAVE_ID_ALIAS_3	R/W	0x00	7-bit Remote Slave Device Alias ID 3. Configures the decoder for detecting transactions designated for an I <sup>2</sup> C Slave device attached to the remote Deserializer. The transaction is remapped to the address specified in the Slave ID3 register. A value of 0 in this field disables access to the remote I <sup>2</sup> C Slave.

**Table 7-75. SLAVE\_ID\_ALIAS\_3 (Address 0x44) (continued)**

BIT	FIELD	TYPE	DEFAULT	DESCRIPTION
0	SLAVE_AUTO_ACK_3	R/W	0x0	Automatically Acknowledge all I2C writes to the remote Slave 3 independent of the forward channel lock state or status of the remote Deserializer Acknowledge. 1: Enable 0: Disable This is intended for debugging only and not recommended for normal operation.

**7.7.66 Slave 4 Alias****Table 7-76. SLAVE\_ID\_ALIAS\_4 (Address 0x45)**

BIT	FIELD	TYPE	DEFAULT	DESCRIPTION
7:1	SLAVE_ID_ALIAS_4	R/W	0x00	7-bit Remote Slave Device Alias ID 4. Configures the decoder for detecting transactions designated for an I <sup>2</sup> C Slave device attached to the remote Deserializer. The transaction is remapped to the address specified in the Slave ID4 register. A value of 0 in this field disables access to the remote I <sup>2</sup> C Slave.
0	SLAVE_AUTO_ACK_4	R/W	0x0	Automatically Acknowledge all I2C writes to the remote Slave 4 independent of the forward channel lock state or status of the remote Deserializer Acknowledge. 1: Enable 0: Disable This is intended for debugging only and not recommended for normal operation.

**7.7.67 Slave 5 Alias****Table 7-77. SLAVE\_ID\_ALIAS\_5 (Address 0x46)**

BIT	FIELD	TYPE	DEFAULT	DESCRIPTION
7:1	SLAVE_ID_ALIAS_5	R/W	0x00	7-bit Remote Slave Device Alias ID 5. Configures the decoder for detecting transactions designated for an I <sup>2</sup> C Slave device attached to the remote Deserializer. The transaction is remapped to the address specified in the Slave ID5 register. A value of 0 in this field disables access to the remote I <sup>2</sup> C Slave.
0	SLAVE_AUTO_ACK_5	R/W	0x0	Automatically Acknowledge all I2C writes to the remote Slave 5 independent of the forward channel lock state or status of the remote Deserializer Acknowledge. 1: Enable 0: Disable This is intended for debugging only and not recommended for normal operation.

**7.7.68 Slave 6 Alias****Table 7-78. SLAVE\_ID\_ALIAS\_6 (Address 0x47)**

BIT	FIELD	TYPE	DEFAULT	DESCRIPTION
7:1	SLAVE_ID_ALIAS_6	R/W	0x00	7-bit Remote Slave Device Alias ID 6. Configures the decoder for detecting transactions designated for an I <sup>2</sup> C Slave device attached to the remote Deserializer. The transaction is remapped to the address specified in the Slave ID6 register. A value of 0 in this field disables access to the remote I <sup>2</sup> C Slave.
0	SLAVE_AUTO_ACK_6	R/W	0x0	Automatically Acknowledge all I2C writes to the remote Slave 6 independent of the forward channel lock state or status of the remote Deserializer Acknowledge. 1: Enable 0: Disable This is intended for debugging only and not recommended for normal operation.

### 7.7.69 Slave 7 Alias

**Table 7-79. SLAVE\_ID\_ALIAS\_7 (Address 0x48)**

BIT	FIELD	TYPE	DEFAULT	DESCRIPTION
7:1	SLAVE_ID_ALIAS_7	R/W	0x00	7-bit Remote Slave Device Alias ID 7. Configures the decoder for detecting transactions designated for an I <sup>2</sup> C Slave device attached to the remote Deserializer. The transaction is remapped to the address specified in the Slave ID7 register. A value of 0 in this field disables access to the remote I <sup>2</sup> C Slave.
0	SLAVE_AUTO_ACK_7	R/W	0x0	Automatically Acknowledge all I2C writes to the remote Slave 7 independent of the forward channel lock state or status of the remote Deserializer Acknowledge. 1: Enable 0: Disable This is intended for debugging only and not recommended for normal operation.

### 7.7.70 Back Channel Control

**Table 7-80. BC\_CTRL (Address 0x49)**

BIT	FIELD	TYPE	DEFAULT	DESCRIPTION
7:6	RESERVED	R	0x0	Reserved.
5	BIST_CRC_ERR_CLR	(R/W)/SC	0x0	Clear BIST CRC error counter. 0: Disable clear 1: Enable Clear
4	RESERVED	R/W	0x0	Reserved.
3	CRC_ERR_CLR	(R/W)/SC	0x0	Clear CRC error. 0: Disable clear 1: Enable clear
2:0	LINK_DET_TIMER	R/W	0x0	TX-RX link detect timer val.

### 7.7.71 Revision ID

**Table 7-81. REV\_MASK\_ID (Address 0x50)**

BIT	FIELD	TYPE	DEFAULT	DESCRIPTION
7:4	REVISION_ID	R	0x2	Revision ID.
3:0	MASK_ID	R	0x0	Mask ID.

### 7.7.72 Device Status

**Table 7-82. Device STS (Address 0x51)**

BIT	FIELD	TYPE	DEFAULT	DESCRIPTION
7	CFG_CKSUM_STS	R	0x0	Config Checksum Passed. This bit is set following initialization if the Configuration data in the eFuse ROM had a valid checksum.
6	CFG_INIT_DONE	R	0x0	Power-up initialization complete. This bit is set after Initialization is complete. Configuration from eFuse ROM has completed.
5:0	RESERVED	R	0x00	Reserved.

### 7.7.73 General Status

**Table 7-83. GENERAL\_STATUS (Address 0x52)**

BIT	FIELD	TYPE	DEFAULT	DESCRIPTION
7	RESERVED	R	0x0	Reserved.

**Table 7-83. GENERAL\_STATUS (Address 0x52) (continued)**

BIT	FIELD	TYPE	DEFAULT	DESCRIPTION
6	RX_LOCK_DETECT	R	0x0	Deserializer LOCK status This bit indicates the LOCK status of the Deserializer.
5	RESERVED	R	0x0	Reserved.
4	LINK_LOST_FLAG	R	0x0	Back Channel Link lost Status changed. This bit is set if a change in BC LINK DET lost status has been detected. This bit is cleared upon read of CRC_ERR_CLR register or HS PLL loses lock.
3	BIST_CRC_ERR	R	0x0	BIST Error is detected. The BIST_ERR_CNT register contain the number of Back Channel BIST errors.
2	HS_PLL_LOCK	R	0x1	Forward Channel High speed PLL lock flag.
1	CRC_ERR	R	0x0	Back Channel CRC error detected. This bit is set when the back channel errors detected when BC LINK DET is asserted. This bit is cleared upon read of CRC_ERR_CLR register.
0	LINK_DET	R	0x1	Back Channel Link detect. This bit is set when BC link is valid.

**7.7.74 GPIO Pin Status****Table 7-84. GPIO\_PIN\_STS For Input State Only (Address 0x53)**

BIT	FIELD	TYPE	DEFAULT	DESCRIPTION
7:4	RESERVED	R	0x0	Reserved.
3:0	GPIO_STS	R	0x0	GPIO Pin Status. This register reads the current values on GPIO pins. Bit 3 reads the GPIO3 pin status. Bit 2 reads the GPIO2 pin status. Bit 1 reads the GPIO1 pin status. Bit 0 reads the GPIO0 pin status.

**7.7.75 BIST Error Count****Table 7-85. BIST\_ERR\_CNT (Address 0x54)**

BIT	FIELD	TYPE	DEFAULT	DESCRIPTION
7:0	BIST_BC_ERRCNT	R	0x00	CRC error count in BIST mode.

**7.7.76 CRC Error Count 1****Table 7-86. CRC\_ERR\_CNT1 (Address 0x55)**

BIT	FIELD	TYPE	DEFAULT	DESCRIPTION
7:0	CRC_ERR_CNT1	R	0x00	CRC Error count (LSB).

**7.7.77 CRC Error Count 2****Table 7-87. CRC\_ERR\_CNT2 (Address 0x56)**

BIT	FIELD	TYPE	DEFAULT	DESCRIPTION
7:0	CRC_ERR_CNT2	R	0x00	CRC Error count (MSB).

**7.7.78 Sensor Status****Table 7-88. SENSOR\_STATUS (Address 0x57)**

BIT	FIELD	TYPE	DEFAULT	DESCRIPTION
7:6	RESERVED	R	0x0	Reserved.
5	T_SENSOR_HI	R	0x0	When set, this bit indicates that GPIO0 Sensor is above SENSE_T_HI limit. This bit is cleared upon read.



**Table 7-88. SENSOR\_STATUS (Address 0x57) (continued)**

BIT	FIELD	TYPE	DEFAULT	DESCRIPTION
4	T_SENSOR_LOW	R	0x0	When set, this bit indicates that GPIO0 Sensor is below SENSE_T_LO limit. This bit is cleared upon read.
3	V1_SENSOR_HI	R	0x0	When set, this bit indicates that GPIO1 input is above SENSE_V1_HI limit. This bit is cleared upon read.
2	V1_SENSOR_LOW	R	0x0	When set, this bit indicates that GPIO1 input is below SENSE_V1_LO limit. This bit is cleared upon read.
1	V0_SENSOR_HI	R	0x0	When set, this bit indicates that GPIO0 input is above SENSE_V0_HI limit. This bit will be cleared upon read.
0	V0_SENSOR_LOW	R	0x0	When set, this bit indicates that GPIO0 input is below SENSE_V0_LO limit. This bit will be cleared upon read.

### 7.7.79 Sensor V0

**Table 7-89. SENSOR\_V0 (Address 0x58)**

BIT	FIELD	TYPE	DEFAULT	DESCRIPTION
7	RESERVED	R/W	0x0	Reserved.
6:4	VOLTAGE_SENSOR_V0_MAX	RC	0x0	GPIO0 Voltage sensor max reading when the GPIO0 voltage is above SENSE_V0_HI limit. This bit is cleared upon read. 0 indicates alarm has not been triggered.
3	RESERVED	R/W	0x0	Reserved.
2:0	VOLTAGE_SENSOR_V0_MIN	RC	0x7	GPIO0 Voltage sensor min reading when GPIO0 voltage is below SENSE_V0_LO limit. This bit is cleared upon read. 7 indicates alarm has not been triggered.

### 7.7.80 Sensor V1

**Table 7-90. SENSOR\_V1 (Address 0x59)**

BIT	FIELD	TYPE	DEFAULT	DESCRIPTION
7	RESERVED	R/W	0x0	Reserved.
6:4	VOLTAGE_SENSOR_V1_MAX	RC	0x0	GPIO1 Voltage sensor max reading when the GPIO1 voltage is above SENSE_V1_HI limit. This bit is cleared upon read. 0 indicates alarm has not been triggered.
3	RESERVED	R/W	0x0	Reserved.
2:0	VOLTAGE_SENSOR_V1_MIN	RC	0x7	GPIO1 Voltage sensor min reading when GPIO1 voltage is below SENSE_V1_LO limit. This bit is cleared upon read. 7 indicates alarm has not been triggered.

### 7.7.81 Sensor T

**Table 7-91. SENSOR\_T (Address 0x5A)**

BIT	FIELD	TYPE	DEFAULT	DESCRIPTION
7	RESERVED	R/W	0x0	Reserved.
6:4	TEMP_MAX	RC	0x0	Internal Temperature sensor maximum reading when temperature is above SENSE_T_HI limit. This bit is cleared upon read. 0 indicates alarm has not been triggered.
3	RESERVED	R/W	0x0	Reserved
2:0	TEMP_MIN	RC	0x7	Internal Temperature sensor minimum reading when temperature is below SENSE_T_LO limit. This bit is cleared upon read. 7 indicates alarm has not been triggered.

### 7.7.82 RESERVED Register

**Table 7-92. RESERVED (Address 0x5B)**

BIT	FIELD	TYPE	DEFAULT	DESCRIPTION
7:2	RESERVED	R/W	0x00	Reserved.
1	RESERVED	RC	0x0	Reserved.
0	RESERVED	RC	0x0	Reserved.

### 7.7.83 CSI-2 Error Count

**Table 7-93. CSI\_ERR\_CNT (Address 0x5C)**

BIT	FIELD	TYPE	DEFAULT	DESCRIPTION
7:0	CSI_ERR_CNT	RC	0x00	CSI-2 Error Counter Register. This register counts the number of CSI-2 packets received with errors since the last read of the counter.

### 7.7.84 CSI-2 Error Status

**Table 7-94. CSI\_ERR\_STATUS (Address 0x5D)**

BIT	FIELD	TYPE	DEFAULT	DESCRIPTION
7:4	RESERVED	R	0x0	Reserved.
3	LINE_LEN_MISMATCH	R/RC	0x0	Indicates Line length less than the received Packet header Word count.
2	CHKSUM_ERR	R/RC	0x0	Indicates a checksum error detected in the incoming data (uncorrectable).
1	ECC_2BIT_ERR	R/RC	0x0	Indicates a 2-Bit Ecc error (uncorrectable) in the Packet header.
0	ECC_1BIT_ERR	R/RC	0x0	Indicates a 1-Bit Ecc error detected in the Packet header.

### 7.7.85 CSI-2 Errors Data Lanes 0 and 1

**Table 7-95. CSI\_ERR\_DLANE01 (Address 0x5E)**

BIT	FIELD	TYPE	DEFAULT	DESCRIPTION
7	SOT_ERROR_1	R	0x0	Lane 1: Single-bit Error in SYNC Sequence - Correctable.
6	SOT_SYNC_ERROR_1	R	0x0	Lane 1: Multi-bit Error in SYNC Sequence - Uncorrectable.
5	CNTRL_ERR_HSRQST_1	R	0x0	Lane 1: Control Error in HS Request Mode.
4	RESERVED	R	0x0	Reserved.
3	SOT_ERROR_0	R	0x0	Lane 0: Single-bit Error in SYNC Sequence - Correctable.
2	SOT_SYNC_ERROR_0	R	0x0	Lane 0: Multi-bit Error in SYNC Sequence - Uncorrectable.
1	CNTRL_ERR_HSRQST_0	R	0x0	Lane 0: Control Error in HS Request Mode.
0	RESERVED	R	0x0	Reserved.

### 7.7.86 CSI-2 Errors Data Lanes 2 and 3

**Table 7-96. CSI\_ERR\_DLANE23 (Address 0x5F)**

BIT	FIELD	TYPE	DEFAULT	DESCRIPTION
7	SOT_ERROR_3	R	0x0	Lane 3: Single-bit Error in SYNC Sequence - Correctable.
6	SOT_SYNC_ERROR_3	R	0x0	Lane 3: Multi-bit Error in SYNC Sequence - Uncorrectable.
5	CNTRL_ERR_HSRQST_3	R	0x0	Lane 3: Control Error in HS Request Mode.
4	RESERVED	R	0x0	Reserved.
3	SOT_ERROR_2	R	0x0	Lane 2: Single-bit Error in SYNC Sequence - Correctable.

**Table 7-96. CSI\_ERR\_DLANE23 (Address 0x5F) (continued)**

BIT	FIELD	TYPE	DEFAULT	DESCRIPTION
2	SOT_SYNC_ERROR_2	R	0x0	Lane 2: Multi-bit Error in SYNC Sequence - Uncorrectable.
1	CNTRL_ERR_HSRQST_2	R	0x0	Lane 2: Control Error in HS Request Mode.
0	RESERVED	R	0x0	Reserved.

### 7.7.87 CSI-2 Errors Clock Lane

**Table 7-97. CSI\_ERR\_CLK\_LANE (Address 0x60)**

BIT	FIELD	TYPE	DEFAULT	DESCRIPTION
7:2	RESERVED	R	0x00	Reserved.
1	CNTRL_ERR_HSRQST_CK0	R	0x0	Clk Lane: Control Error in HS Request Mode.
0	RESERVED	R	0x0	Reserved.

### 7.7.88 CSI-2 Packet Header Data

**Table 7-98. CSI\_PKT\_HDR\_VC\_ID (Address 0x61)**

BIT	FIELD	TYPE	DEFAULT	DESCRIPTION
7:6	LONG_PKT_VCHNL_ID	R	0x0	Virtual Channel ID from CSI-2 Packet header.
5:0	LONG_PKT_DATA_ID	R	0x00	Data ID from CSI-2 Packet header.

### 7.7.89 Packet Header Word Count 0

**Table 7-99. PKT\_HDR\_WC\_LSB (Address 0x62)**

BIT	FIELD	TYPE	DEFAULT	DESCRIPTION
7:0	LONG_PKT_WRD_CNT_LSB	R	0x00	Payload count lower byte from CSI-2 Packet header.

### 7.7.90 Packet Header Word Count 1

**Table 7-100. PKT\_HDR\_WC\_MSB (Address 0x63)**

BIT	FIELD	TYPE	DEFAULT	DESCRIPTION
7:0	LONG_PKT_WRD_CNT_MSB	R	0x00	Payload count upper byte from CSI-2 Packet header.

### 7.7.91 CSI-2 ECC

**Table 7-101. CSI\_ECC (Address 0x64)**

BIT	FIELD	TYPE	DEFAULT	DESCRIPTION
7	LINE_LENGTH_CHANGE	R	0x0	Indicates Line length change detected per frame.
6	RESERVED	R	0x0	Reserved.
5:0	CSI-2_ECC	R	0x00	CSI-2 ECC byte from packet header.

**7.7.92 RESERVED Register****Table 7-102. RESERVED (Address 0x65-67)**

BIT	FIELD	TYPE	DEFAULT	DESCRIPTION
7:0	RESERVED	R	0x00	Reserved.

**7.7.93 RESERVED Register****Table 7-103. RESERVED (Address 0x68-6F)**

BIT	FIELD	TYPE	DEFAULT	DESCRIPTION
7:0	RESERVED		0x00	Reserved.

**7.7.94 RESERVED Register****Table 7-104. RESERVED (Address 0x70-0x71)**

BIT	FIELD	TYPE	DEFAULT	DESCRIPTION
7:0	RESERVED	R/W	0x00	Reserved.

**7.7.95 RESERVED Register****Table 7-105. RESERVED (Address 0x72)**

BIT	FIELD	TYPE	DEFAULT	DESCRIPTION
7:0	RESERVED	R/W	0x25	Reserved.

**7.7.96 RESERVED Register****Table 7-106. RESERVED (Address 0x73)**

BIT	FIELD	TYPE	DEFAULT	DESCRIPTION
7:0	RESERVED	R/W	0x00	Reserved.

**7.7.97 RESERVED Register****Table 7-107. RESERVED (Address 0x74)**

BIT	FIELD	TYPE	DEFAULT	DESCRIPTION
7:4	RESERVED		0x0	Reserved.
3:0	RESERVED	R/W	0x0	Reserved.

**7.7.98 RESERVED Register****Table 7-108. RESERVED (Address 0x75)**

BIT	FIELD	TYPE	DEFAULT	DESCRIPTION
7:1	RESERVED	R/W	0x00	Reserved.
0	RESERVED		0x0	Reserved.

**7.7.99 RESERVED Register****Table 7-109. RESERVED (Address 0x76)**

BIT	FIELD	TYPE	DEFAULT	DESCRIPTION
7	RESERVED	R/W	0x0	Reserved.
6:4	RESERVED	R	0x0	Reserved.
3:0	RESERVED	R/W	0x0	Reserved.

### 7.7.100 RESERVED Register

**Table 7-110. RESERVED (Address 0x77)**

BIT	FIELD	TYPE	DEFAULT	DESCRIPTION
7	RESERVED	R	0x0	Reserved.
6:0	RESERVED	R/W	0x00	Reserved.

### 7.7.101 RESERVED Register

**Table 7-111. RESERVED (Address 0x78)**

BIT	FIELD	TYPE	DEFAULT	DESCRIPTION
7	RESERVED	R	0x0	Reserved.
6	RESERVED	SC	0x0	Reserved.
5:0	RESERVED	R/W	0x00	Reserved.

### 7.7.102 RESERVED Register

**Table 7-112. RESERVED (Address 0x79)**

BIT	FIELD	TYPE	DEFAULT	DESCRIPTION
7:5	RESERVED	R/W	0x0	Reserved.
4:0	RESERVED	R/RC	0x00	Reserved.

### 7.7.103 RESERVED Register

**Table 7-113. RESERVED (Address 0x7A)**

BIT	FIELD	TYPE	DEFAULT	DESCRIPTION
7:0	RESERVED	R/W	0x04	Reserved.

### 7.7.104 RESERVED Register

**Table 7-114. RESERVED (Address 0x7B-0x85)**

BIT	FIELD	TYPE	DEFAULT	DESCRIPTION
7:0	RESERVED	R/W	0x00	Reserved.

### 7.7.105 RESERVED Register

**Table 7-115. RESERVED (Address 0x86)**

BIT	FIELD	TYPE	DEFAULT	DESCRIPTION
7:0	RESERVED	R/W	0x90	Reserved.

### 7.7.106 RESERVED Register

**Table 7-116. RESERVED (Address 0x87-0x88)**

BIT	FIELD	TYPE	DEFAULT	DESCRIPTION
7:0	RESERVED	R/W	0x00	Reserved.

### 7.7.107 RESERVED Register

**Table 7-117. RESERVED (Address 0x89-0x8B)**

BIT	FIELD	TYPE	DEFAULT	DESCRIPTION
7:0	RESERVED	R	0x00	Reserved.

**7.7.108 RESERVED Register****Table 7-118. RESERVED (Address 0x8C-0x8F)**

BIT	FIELD	TYPE	DEFAULT	DESCRIPTION
7:0	RESERVED	R/W	0x00	Reserved.

**7.7.109 RESERVED Register****Table 7-119. RESERVED (Address 0x90)**

BIT	FIELD	TYPE	DEFAULT	DESCRIPTION
7	RESERVED		0x0	Reserved.
6	RESERVED	R/W	0x0	Reserved.
5:0	RESERVED	R/W	0x32	Reserved.

**7.7.110 RESERVED Register****Table 7-120. RESERVED (Address 0x91)**

BIT	FIELD	TYPE	DEFAULT	DESCRIPTION
7:0	RESERVED	R/W	0xE2	Reserved.

**7.7.111 RESERVED Register****Table 7-121. RESERVED (Address 0x92)**

BIT	FIELD	TYPE	DEFAULT	DESCRIPTION
7	RESERVED	R	0x0	Reserved.
6:0	RESERVED	R/W	0x64	Reserved.

**7.7.112 RESERVED Register****Table 7-122. RESERVED (Address 0x93)**

BIT	FIELD	TYPE	DEFAULT	DESCRIPTION
7:0	RESERVED	R/W	0x01	Reserved.

**7.7.113 RESERVED Register****Table 7-123. RESERVED (Address 0x94-0x99)**

BIT	FIELD	TYPE	DEFAULT	DESCRIPTION
7:0	RESERVED	R/W	0x00	Reserved.

**7.7.114 RESERVED Register****Table 7-124. RESERVED (Address 0x9A-0x9E)**

BIT	FIELD	TYPE	DEFAULT	DESCRIPTION
7:6	RESERVED	R	0x0	Reserved.
5:0	RESERVED	R/W	0x00	Reserved.

**7.7.115 RESERVED Register****Table 7-125. RESERVED (Address 0x9F)**

BIT	FIELD	TYPE	DEFAULT	DESCRIPTION
7:5	RESERVED	R	0x0	Reserved.
4:0	RESERVED	R/W	0x10	Reserved.

### 7.7.116 RESERVED Register

**Table 7-126. RESERVED (Address 0xA0)**

BIT	FIELD	TYPE	DEFAULT	DESCRIPTION
7:0	RESERVED		0x0	Reserved.

### 7.7.117 RESERVED Register

**Table 7-127. RESERVED (Address 0xA1-0xA4)**

BIT	FIELD	TYPE	DEFAULT	DESCRIPTION
7:5	RESERVED	R	0x0	Reserved.
4:0	RESERVED	R/W	0x00	Reserved.

### 7.7.118 RESERVED Register

**Table 7-128. RESERVED (Address 0xA5)**

BIT	FIELD	TYPE	DEFAULT	DESCRIPTION
7:0	RESERVED	R/W	0x10	Reserved.

### 7.7.119 RESERVED Register

**Table 7-129. RESERVED (Address 0xA6)**

BIT	FIELD	TYPE	DEFAULT	DESCRIPTION
7:0	RESERVED	R/W	0x42	Reserved.

### 7.7.120 RESERVED Register

**Table 7-130. RESERVED (Address 0xA7-0xA9)**

BIT	FIELD	TYPE	DEFAULT	DESCRIPTION
7:0	RESERVED	R/W	0x10	Reserved.

### 7.7.121 RESERVED Register

**Table 7-131. RESERVED (Address 0xAA-0xAB)**

BIT	FIELD	TYPE	DEFAULT	DESCRIPTION
7:0	RESERVED	R/W	0x00	Reserved.

### 7.7.122 RESERVED Register

**Table 7-132. RESERVED (Address 0xAC-0xAF)**

BIT	FIELD	TYPE	DEFAULT	DESCRIPTION
7:0	RESERVED		0x00	Reserved.

### 7.7.123 IND\_ACC\_CTL

**Table 7-133. IND\_ACC\_CTL (Address 0xB0)**

BIT	FIELD	TYPE	DEFAULT	DESCRIPTION
7:5	RESERVED	R	0x0	Reserved.
4:2	IA_SEL	R/W	0x0	Indirect Register Select: Selects target for register access 000 : PATGEN 001 : FPD3 TX Registers 010: DIE ID Data
1	IA_AUTO_INC	R/W	0x0	Indirect Access Auto Increment: Enables auto-increment mode. Upon completion of a read or write, the register address is automatically incremented by 1.

**Table 7-133. IND\_ACC\_CTL (Address 0xB0) (continued)**

BIT	FIELD	TYPE	DEFAULT	DESCRIPTION
0	IA_READ	R/W	0x0	Indirect Access Read: Setting this allows generation of a read strobe to the selected register block upon setting of the IND_ACC_ADDR register. In auto-increment mode, read strobes are also asserted following a read of the IND_ACC_DATA register. This function is only required for blocks that need to pre-fetch register data.

**7.7.124 IND\_ACC\_ADDR****Table 7-134. IND\_ACC\_ADDR (Address 0xB1)**

BIT	FIELD	TYPE	DEFAULT	DESCRIPTION
7:0	IND_ACC_ADDR	R/W	0x00	Indirect Access Register Offset: This register contains the 8-bit register offset for the indirect access.

**7.7.125 IND\_ACC\_DATA****Table 7-135. IND\_ACC\_DATA (Address 0xB2)**

BIT	FIELD	TYPE	DEFAULT	DESCRIPTION
7:0	IND_ACC_DATA	R/W	0x00	Indirect Access Register Data: Writing this register causes an indirect write of the IND_ACC_DATA value to the selected analog block register. Reading this register returns the value of the selected analog block register.

**7.7.126 RESERVED Register****Table 7-136. RESERVED (Address 0xB3-0xEF)**

BIT	FIELD	TYPE	DEFAULT	DESCRIPTION
7:0	RESERVED	R	0x00	Reserved.

**7.7.127 FPD3\_RX\_ID0****Table 7-137. FPD3\_RX\_ID0 (Address 0xF0)**

BIT	FIELD	TYPE	DEFAULT	DESCRIPTION
7:0	FPD3_RX_ID0	R	0x5F	FPD3_TX_ID0: First byte ID code: '_'.

**7.7.128 FPD3\_RX\_ID1****Table 7-138. FPD3\_RX\_ID1 (Address 0xF1)**

BIT	FIELD	TYPE	DEFAULT	DESCRIPTION
7:0	FPD3_RX_ID1	R	0x55	FPD3_TX_ID1: 2nd byte of ID code: 'U'.

**7.7.129 FPD3\_RX\_ID2****Table 7-139. FPD3\_RX\_ID2 (Address 0xF2)**

BIT	FIELD	TYPE	DEFAULT	DESCRIPTION
7:0	FPD3_RX_ID2	R	0x42	FPD3_TX_ID2: 3rd byte of ID code: 'B'.

**7.7.130 FPD3\_RX\_ID3****Table 7-140. FPD3\_RX\_ID3 (Address 0xF3)**

BIT	FIELD	TYPE	DEFAULT	DESCRIPTION
7:0	FPD3_RX_ID3	R	0x39	FPD3_TX_ID3: 4th byte of ID code: '9'.



### 7.7.131 FPD3\_RX\_ID4

**Table 7-141. FPD3\_RX\_ID4 (Address 0xF4)**

BIT	FIELD	TYPE	DEFAULT	DESCRIPTION
7:0	FPD3_RX_ID4	R	0x35	FPD3_TX_ID4: 5th byte of ID code: '5'.

### 7.7.132 FPD3\_RX\_ID5

**Table 7-142. FPD3\_RX\_ID5 (Address 0xF5)**

BIT	FIELD	TYPE	DEFAULT	DESCRIPTION
7:0	FPD3_RX_ID5	R	0x33	FPD3_TX_ID5: 6th byte of ID code: '3'.

### 7.7.133 Indirect Access Registers

Several functional blocks include register sets contained in the Indirect Access map (Table 7-143); that is, Pattern Generator, and Analog controls. Register access is provided through an indirect access mechanism through the Indirect Access registers (IND\_ACC\_CTL, IND\_ACC\_ADDR, and IND\_ACC\_DATA). These registers are located at offsets 0xB0-0xB2 in the main register space.

The indirect address mechanism involves setting the control register to select the desired block, setting the register offset address, and reading or writing the data register. In addition, an auto-increment function is provided in the control register to automatically increment the offset address following each read or write of the data register.

For writes, the process is as follows:

1. Write to the IND\_ACC\_CTL register to select the desired register block
2. Write to the IND\_ACC\_ADDR register to set the register offset
3. Write the data value to the IND\_ACC\_DATA register

If auto-increment is set in the IND\_ACC\_CTL register, repeating step 3 writes additional data bytes to subsequent register offset locations.

For reads, the process is as follows:

1. Write to the IND\_ACC\_CTL register to select the desired register block
2. Write to the IND\_ACC\_ADDR register to set the register offset
3. Read from the IND\_ACC\_DATA register

If auto-increment is set in the IND\_ACC\_CTL register, repeating step 3 reads additional data bytes from subsequent register offset locations.

**Table 7-143. Indirect Register Map Description**

IA SELECT 0xB0[4:2]	PAGE/BLOCK	INDIRECT REGISTERS	ADDRESS RANGE	DESCRIPTION
000	0	Digital Page 0 Indirect Registers	0x01 - 0x1F	Pattern Gen Registers.
010	2	Indirect Registers: Die ID Data	0x00 - 0x040	Hold 16 bytes that correspond to Die ID data.

#### 7.7.133.1 Reserved

**Table 7-144. Reserved (Address 0x00)**

BIT	FIELD	TYPE	DEFAULT	DESCRIPTION
7:0	RESERVED	R	0x00	Reserved.

#### 7.7.133.2 PGEN\_CTL

**Table 7-145. PGEN\_CTL (Address 0x01)**

BIT	FIELD	TYPE	DEFAULT	DESCRIPTION
7:1	RESERVED	R/W	0x0	Reserved.
0	PGEN_ENABLE	R/W	0x0	Pattern Generator Enable. 1: Enable Pattern Generator 0: Disable Pattern Generator

#### 7.7.133.3 PGEN\_CFG

**Table 7-146. PGEN\_CFG (Address 0x02)**

BIT	FIELD	TYPE	DEFAULT	DESCRIPTION
7	PGEN_FIXED_EN	R/W	0x0	Fixed Pattern Enable. Setting this bit enables Fixed Color Patterns. 0 : Send Color Bar Pattern 1 : Send Fixed Color Pattern
6	RESERVED	R/W	0x0	Reserved.

**Table 7-146. PGEN\_CFG (Address 0x02) (continued)**

BIT	FIELD	TYPE	DEFAULT	DESCRIPTION
5:4	NUM_CBARS	R/W	0x3	Number of Color Bars. 00 : 1 Color Bar 01 : 2 Color Bars 10 : 4 Color Bars 11 : 8 Color Bars
3:0	BLOCK_SIZE	R/W	0x3	Block Size. For Fixed Color Patterns, this field controls the size of the fixed color field in bytes. Allowed values are 1 to 15.

#### 7.7.133.4 PGEN\_CSI\_DI

**Table 7-147. PGEN\_CSI\_DI (Address 0x03)**

BIT	FIELD	TYPE	DEFAULT	DESCRIPTION
7:6	PGEN_CSI_V C	R/W	0x0	CSI-2 Virtual Channel Identifier. This field controls the value sent in the CSI-2 packet for the Virtual Channel Identifier.
5:0	PGEN_CSI_D T	R/W	0x24	CSI-2 Data Type. This field controls the value sent in the CSI-2 packet for the Data Type. The default value (0x24) indicates RGB888.

#### 7.7.133.5 PGEN\_LINE\_SIZE1

**Table 7-148. PGEN\_LINE\_SIZE1 (Address 0x04)**

BIT	FIELD	TYPE	DEFAULT	DESCRIPTION
7:0	PGEN_LINE_SIZE[15:8]	R/W	0x07	Most significant byte of the Pattern Generator line size. This is the active line length in bytes. Default setting is for 1920 bytes for a 640-pixel line width.

#### 7.7.133.6 PGEN\_LINE\_SIZE0

**Table 7-149. PGEN\_LINE\_SIZE0 (Address 0x05)**

BIT	FIELD	TYPE	DEFAULT	DESCRIPTION
7:0	PGEN_LINE_SIZE[7:0]	R/W	0x80	Least significant byte of the Pattern Generator line size. This is the active line length in bytes. Default setting is for 1920 bytes for a 640-pixel line width.

#### 7.7.133.7 PGEN\_BAR\_SIZE1

**Table 7-150. PGEN\_BAR\_SIZE1 (Address 0x06)**

BIT	FIELD	TYPE	DEFAULT	DESCRIPTION
7:0	PGEN_BAR_SIZE[15:8]	R/W	0x00	Most significant byte of the Pattern Generator color bar size. This is the active length in bytes for the color bars. This value is used for all except the last color bar. The last color bar is determined by the remaining bytes as defined by the PGEN_LINE_SIZE value.

#### 7.7.133.8 PGEN\_BAR\_SIZE0

**Table 7-151. PGEN\_BAR\_SIZE0 (Address 0x07)**

BIT	FIELD	TYPE	DEFAULT	DESCRIPTION
7:0	PGEN_BAR_SIZE[7:0]	R/W	0xF0	Least significant byte of the Pattern Generator color bar size. This is the active length in bytes for the color bars. This value is used for all except the last color bar. The last color bar is determined by the remaining bytes as defined by the PGEN_LINE_SIZE value.

**7.7.133.9 PGEN\_ACT\_LPF1****Table 7-152. PGEN\_ACT\_LPF1 (Address 0x08)**

BIT	FIELD	TYPE	DEFAULT	DESCRIPTION
7:0	PGEN_ACT_LPF[15:8]	R/W	0x01	Active Lines Per Frame. Most significant byte of the number of active lines per frame. Default setting is for 480 active lines per frame.

**7.7.133.10 PGEN\_ACT\_LPF0****Table 7-153. PGEN\_ACT\_LPF0 (Address 0x09)**

BIT	FIELD	TYPE	DEFAULT	DESCRIPTION
7:0	PGEN_ACT_LPF[7:0]	R/W	0xE0	Active Lines Per Frame. Least significant byte of the number of active lines per frame. Default setting is for 480 active lines per frame.

**7.7.133.11 PGEN\_TOT\_LPF1****Table 7-154. PGEN\_TOT\_LPF1 (Address 0x0A)**

BIT	FIELD	TYPE	DEFAULT	DESCRIPTION
7:0	PGEN_TOT_LPF[15:8]	R/W	0x02	Total Lines Per Frame. Most significant byte of the number of total lines per frame including vertical blanking.

**7.7.133.12 PGEN\_TOT\_LPF0****Table 7-155. PGEN\_TOT\_LPF0 (Address 0x0B)**

BIT	FIELD	TYPE	DEFAULT	DESCRIPTION
7:0	PGEN_TOT_LPF[7:0]	R/W	0x0D	Total Lines Per Frame. Least significant byte of the number of total lines per frame including vertical blanking.

**7.7.133.13 PGEN\_LINE\_PD1****Table 7-156. PGEN\_LINE\_PD1 (Address 0x0C)**

BIT	FIELD	TYPE	DEFAULT	DESCRIPTION
7:0	PGEN_LINE_PD[15:8]	R/W	0x0C	Line Period. Most significant byte of the line period in 10-ns units. The default setting for the line period registers sets a line period of 31.75 microseconds.

**7.7.133.14 PGEN\_LINE\_PD0****Table 7-157. PGEN\_LINE\_PD0 (Address 0x0D)**

BIT	FIELD	TYPE	DEFAULT	DESCRIPTION
7:0	PGEN_LINE_PD[7:0]	R/W	0x67	Line Period. Least significant byte of the line period in 10-ns units. The default setting for the line period registers sets a line period of 31.75 microseconds.

**7.7.133.15 PGEN\_VBP****Table 7-158. PGEN\_VBP (Address 0x0E)**

BIT	FIELD	TYPE	DEFAULT	DESCRIPTION
7:0	PGEN_VBP	R/W	0x21	Vertical Back Porch. This value provides the vertical back porch portion of the vertical blanking interval. This value provides the number of blank lines between the FrameStart packet and the first video data packet.

### 7.7.133.16 PGEN\_VFP

**Table 7-159. PGEN\_VFP (Address 0x0F)**

BIT	FIELD	TYPE	DEFAULT	DESCRIPTION
7:0	PGEN_VFP	R/W	0x0A	Vertical Front Porch. This value provides the vertical front porch portion of the vertical blanking interval. This value provides the number of blank lines between the last video line and the FrameEnd packet.

### 7.7.133.17 PGEN\_COLOR0

**Table 7-160. PGEN\_COLOR0 (Address 0x10)**

BIT	FIELD	TYPE	DEFAULT	DESCRIPTION
7:0	PGEN_COLOR0	R/W	0xAA	Pattern Generator Color 0. For Reference Color Bar Patterns, this register controls the byte data value sent during color bar 0. For Fixed Color Patterns, this register controls the first byte of the fixed color pattern.

### 7.7.133.18 PGEN\_COLOR1

**Table 7-161. PGEN\_COLOR1 (Address 0x11)**

BIT	FIELD	TYPE	DEFAULT	DESCRIPTION
7:0	PGEN_COLOR1	R/W	0x33	Pattern Generator Color 1. For Reference Color Bar Patterns, this register controls the byte data value sent during color bar 1. For Fixed Color Patterns, this register controls the second byte of the fixed color pattern.

### 7.7.133.19 PGEN\_COLOR2

**Table 7-162. PGEN\_COLOR2 (Address 0x12)**

BIT	FIELD	TYPE	DEFAULT	DESCRIPTION
7:0	PGEN_COLOR2	R/W	0xF0	Pattern Generator Color 2. For Reference Color Bar Patterns, this register controls the byte data value sent during color bar 2. For Fixed Color Patterns, this register controls the third byte of the fixed color pattern.

### 7.7.133.20 PGEN\_COLOR3

**Table 7-163. PGEN\_COLOR3 (Address 0x13)**

BIT	FIELD	TYPE	DEFAULT	DESCRIPTION
7:0	PGEN_COLOR3	R/W	0x7F	Pattern Generator Color 3. For Reference Color Bar Patterns, this register controls the byte data value sent during color bar 3. For Fixed Color Patterns, this register controls the fourth byte of the fixed color pattern.

### 7.7.133.21 PGEN\_COLOR4

**Table 7-164. PGEN\_COLOR4 (Address 0x14)**

BIT	FIELD	TYPE	DEFAULT	DESCRIPTION
7:0	PGEN_COLOR4	R/W	0x55	Pattern Generator Color 4. For Reference Color Bar Patterns, this register controls the byte data value sent during color bar 4. For Fixed Color Patterns, this register controls the fifth byte of the fixed color pattern.

**7.7.133.22 PGEN\_COLOR5****Table 7-165. PGEN\_COLOR5 (Address 0x15)**

BIT	FIELD	TYPE	DEFAULT	DESCRIPTION
7:0	PGEN_COLOR5	R/W	0xCC	Pattern Generator Color 5. For Reference Color Bar Patterns, this register controls the byte data value sent during color bar 5. For Fixed Color Patterns, this register controls the sixth byte of the fixed color pattern.

**7.7.133.23 PGEN\_COLOR6****Table 7-166. PGEN\_COLOR6 (Address 0x16)**

BIT	FIELD	TYPE	DEFAULT	DESCRIPTION
7:0	PGEN_COLOR6	R/W	0x0F	Pattern Generator Color 6. For Reference Color Bar Patterns, this register controls the byte data value sent during color bar 6. For Fixed Color Patterns, this register controls the seventh byte of the fixed color pattern.

**7.7.133.24 PGEN\_COLOR7****Table 7-167. PGEN\_COLOR7 (Address 0x17)**

BIT	FIELD	TYPE	DEFAULT	DESCRIPTION
7:0	PGEN_COLOR7	R/W	0x80	Pattern Generator Color 7. For Reference Color Bar Patterns, this register controls the byte data value sent during color bar 7. For Fixed Color Patterns, this register controls the eighth byte of the fixed color pattern.

**7.7.133.25 PGEN\_COLOR8****Table 7-168. PGEN\_COLOR8 (Address 0x18)**

BIT	FIELD	TYPE	DEFAULT	DESCRIPTION
7:0	PGEN_COLOR8	R/W	0x00	Pattern Generator Color 8. For Fixed Color Patterns, this register controls the ninth byte of the fixed color pattern.

**7.7.133.26 PGEN\_COLOR9****Table 7-169. PGEN\_COLOR9 (Address 0x19)**

BIT	FIELD	TYPE	DEFAULT	DESCRIPTION
7:0	PGEN_COLOR9	R/W	0x00	Pattern Generator Color 9. For Fixed Color Patterns, this register controls the tenth byte of the fixed color pattern.

**7.7.133.27 PGEN\_COLOR10****Table 7-170. PGEN\_COLOR10 (Address 0x1A)**

BIT	FIELD	TYPE	DEFAULT	DESCRIPTION
7:0	PGEN_COLOR10	R/W	0x00	Pattern Generator Color 10. For Fixed Color Patterns, this register controls the eleventh byte of the fixed color pattern.

**7.7.133.28 PGEN\_COLOR11****Table 7-171. PGEN\_COLOR11 (Address 0x1B)**

BIT	FIELD	TYPE	DEFAULT	DESCRIPTION
7:0	PGEN_COLOR11	R/W	0x00	Pattern Generator Color 11. For Fixed Color Patterns, this register controls the twelfth byte of the fixed color pattern.

### 7.7.133.29 PGEN\_COLOR12

**Table 7-172. PGEN\_COLOR12 (Address 0x1C)**

BIT	FIELD	TYPE	DEFAULT	DESCRIPTION
7:0	PGEN_COLOR12	R/W	0x00	Pattern Generator Color 12. For Fixed Color Patterns, this register controls the thirteenth byte of the fixed color pattern.

### 7.7.133.30 PGEN\_COLOR13

**Table 7-173. PGEN\_COLOR13 (Address 0x1D)**

BIT	FIELD	TYPE	DEFAULT	DESCRIPTION
7:0	PGEN_COLOR13	R/W	0x00	Pattern Generator Color 13. For Fixed Color Patterns, this register controls the fourteenth byte of the fixed color pattern.

### 7.7.133.31 PGEN\_COLOR14

**Table 7-174. PGEN\_COLOR14 (Address 0x1E)**

BIT	FIELD	TYPE	DEFAULT	DESCRIPTION
7:0	PGEN_COLOR14	R/W	0x00	Pattern Generator Color 14. For Fixed Color Patterns, this register controls the fifteenth byte of the fixed color pattern.

### 7.7.133.32 PGEN\_COLOR15

**Table 7-175. PGEN\_COLOR15 (Address 0x1F)**

BIT	FIELD	TYPE	DEFAULT	DESCRIPTION
7:0	PGEN_COLOR15	R/W	0x00	Pattern Generator Color 15. For Fixed Color Patterns, this register controls the sixteenth byte of the fixed color pattern.

## 8 Application and Implementation

### Note

Information in the following applications sections is not part of the TI component specification, and TI does not warrant its accuracy or completeness. TI's customers are responsible for determining suitability of components for their purposes. Customers should validate and test their design implementation to confirm system functionality.

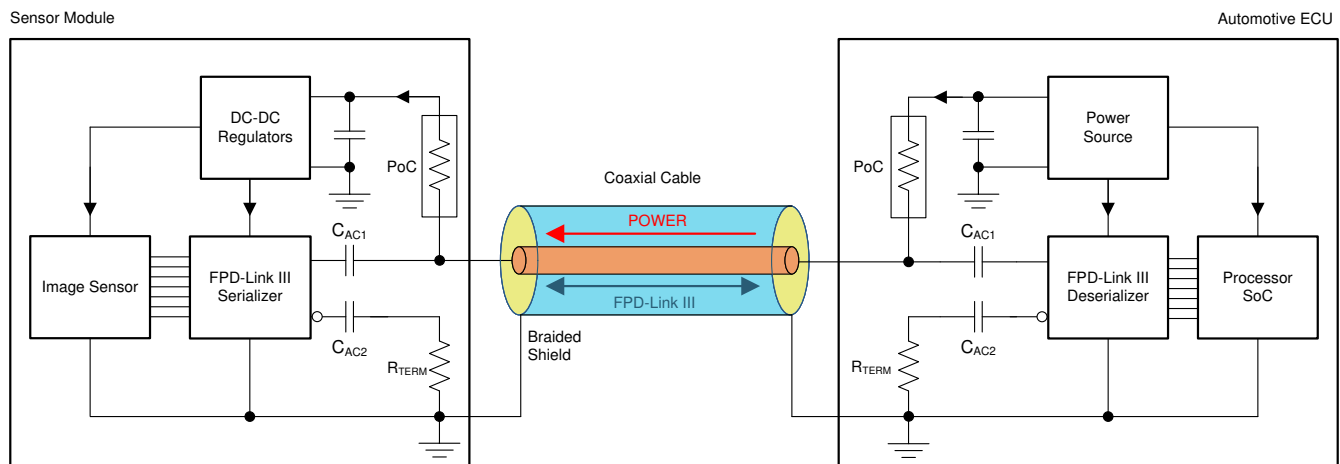
### 8.1 Application Information

The link between the DS90UB935-Q1 and the companion deserializer has two distinct data paths. The first path is a forward channel which is nominally running at up to 3.16 Gbps and is encoded such that the channel occupies a bandwidth from 20 MHz to 2.1 GHz. The second path is a back channel from the deserializer to the serializer which occupies a frequency range nominally from 10 MHz to 50 MHz.

For these two communications links to operate properly, the circuit between the serializer and the deserializer must present a characteristic impedance of 50  $\Omega$ . Deviations from this 50- $\Omega$  characteristic will lead to signal reflections either at the serializer or deserializer, which will result in bit errors.

#### 8.1.1 Power-over-Coax

The DS90UB935-Q1 is designed to support the Power-over-Coax (PoC) method of powering remote sensor systems. With this method, the power is delivered over the same medium (a coaxial cable) used for high-speed digital video data, bidirectional control, and diagnostics data transmission. This method uses passive networks or filters that isolate the transmission line from the loading of the DC-DC regulator circuits and their connecting power traces on both sides of the link as shown in [Figure 8-1](#).

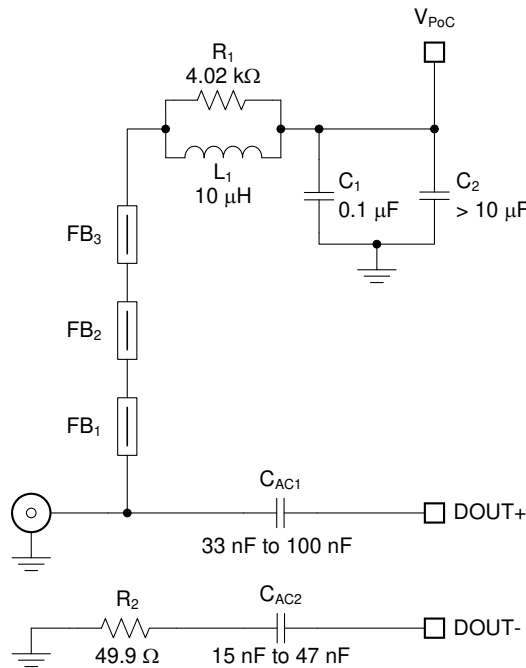


**Figure 8-1. Power-over-Coax (PoC) System Diagram**

The PoC network impedance of  $\geq 2 \text{ k}\Omega$  over a specific frequency band is typically sufficient to isolate the transmission line from the loading of the regulator circuits. The lower limit of the frequency band is defined as  $\frac{1}{2}$  of the frequency of the bidirectional control channel' ( $f_{BCC}$ ). The upper limit of the frequency band is the frequency of the forward high-speed channel ( $f_{FC}$ ).

[Figure 8-2](#) shows an example PoC network suitable for a "4G" FPD-Link III consisting of DS90UB935-Q1 and DS90UB936-Q1, DS90UB954-Q1, or DS90UB960-Q1 pair with the bidirectional channel operating at 50 Mbps ( $\frac{1}{2} f_{BCC} = 25 \text{ MHz}$ ) and the forward channel operating at 3.16 Gbps ( $f_{FC} \approx 2.1 \text{ GHz}$ ). Other PoC networks are possible and may be different on the serializer and the deserializer boards as long as the printed-circuit board return loss requirements listed in [Table 8-2](#) are met.





**Figure 8-2. Typical PoC Network for a "4G" FPD-Link III**

Table 8-1 lists essential components for this particular PoC network. Note that the impedance characteristic of the ferrite beads deviates with the bias current. Therefore, keeping the current going through the network below 150 mA is recommended.

**Table 8-1. Suggested Components for a "4G" FPD-Link III PoC Network**

COUNT	REF DES	DESCRIPTION	PART NUMBER	MFR
1	L1	Inductor, 10 μH, 0.288 Ω maximum, 530 mA minimum (Isat, Itemp) 30 MHz SRF minimum, 3 mm × 3 mm, General-Purpose	LQH3NPN100MJR	Murata
		Inductor, 10 μH, 0.288 Ω maximum, 530 mA minimum (Isat, Itemp) 30 MHz SRF minimum, 3 mm × 3 mm, AEC-Q200	LQH3NPZ100MJR	Murata
		Inductor, 10 μH, 0.360 Ω maximum, 450 mA minimum (Isat, Itemp) 30 MHz SRF minimum, 3.2 mm × 2.5 mm, AEC-Q200	NLCV32T-100K-EFD	TDK
		Inductor, 10 μH, 0.400 Ω typical, 550 mA minimum (Isat, Itemp) 39 MHz SRF typical, 3 mm × 3 mm, AEC-Q200	TYS3010100M-10	Laird
		Inductor, 10 μH, 0.325 Ω maximum, 725 mA minimum (Isat, Itemp) 41 MHz SRF typical, 3 mm × 3 mm, AEC-Q200	TYS3015100M-10	Laird
3	FB1-FB3	Ferrite Bead, 1.5 kΩ at 1 GHz, 0.5 Ω maximum at DC 500 mA at 85°C, 0603 SMD, General-Purpose	BLM18HE152SN1	Murata
		Ferrite Bead, 1.5 kΩ at 1 GHz, 0.5 Ω maximum at DC 500 mA at 85°C, 0603 SMD, AEC-Q200	BLM18HE152SZ1	Murata

In addition to the selection of PoC network components, their placement and layout play a critical role as well.

- Place the smallest component, typically a ferrite bead or a chip inductor, as close to the connector as possible. Route the high-speed trace through one of its pads to avoid stubs.
- Use the smallest component pads as allowed by manufacturer's design rules. Add anti-pads in the inner planes below the component pads to minimize impedance drop.
- Consult with the connector manufacturer for optimized connector footprint. If the connector is mounted on the same side as the IC, minimize the impact of the through-hole connector stubs by routing the high-speed signal traces on the opposite side of the connector mounting side.
- Use coupled 100-Ω differential signal traces from the device pins to the AC-coupling caps. Use 50-Ω single-ended traces from the AC-coupling capacitors to the connector.

- Terminate the inverting signal traces close to the connectors with standard 49.9-Ω resistors.

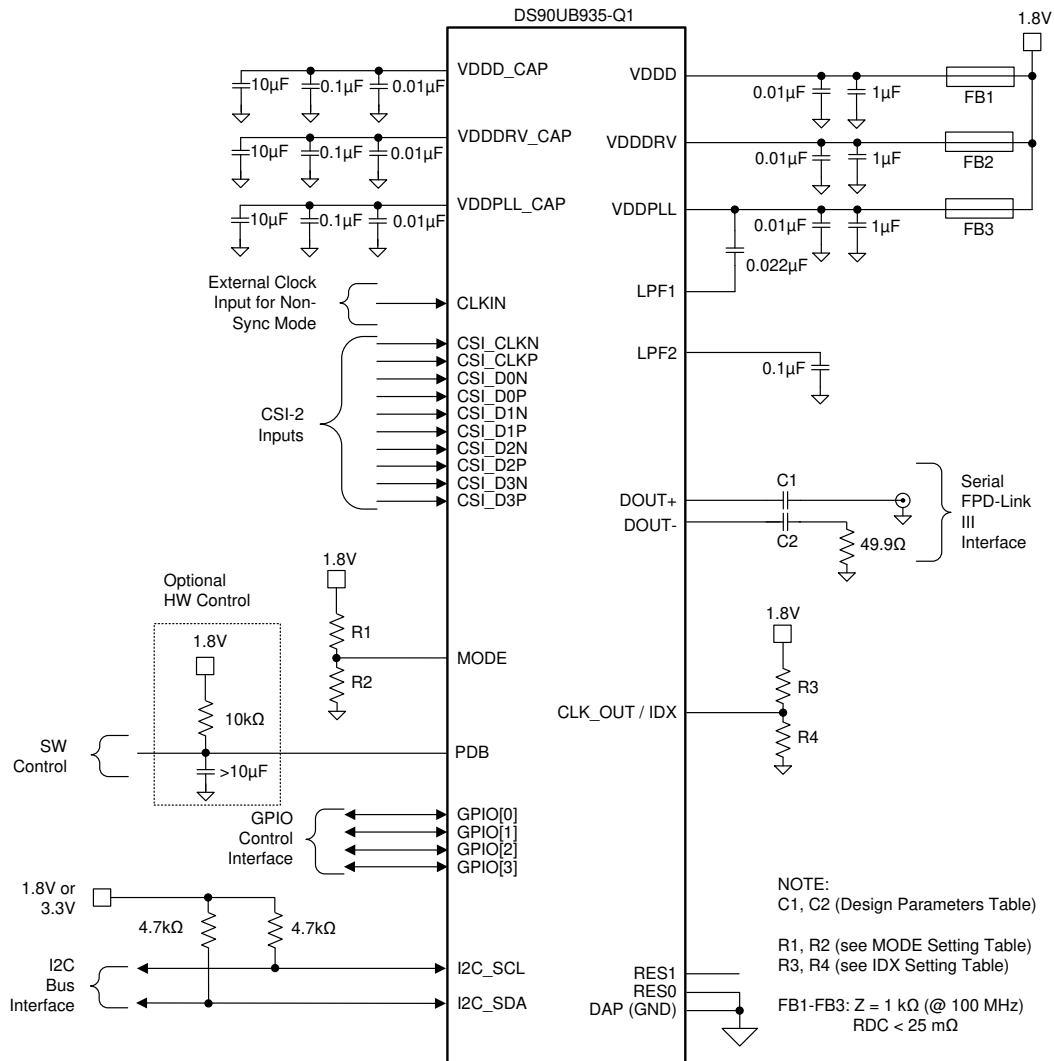
The suggested characteristics for single-ended PCB traces (microstrips or striplines) for serializer or deserializer boards are listed in [Table 8-2](#). The effects of the PoC networks must be accounted for when testing the traces for compliance to the suggested limits.

**Table 8-2. Suggested Characteristics for Single-Ended PCB Traces With Attached PoC Networks**

PARAMETER		MIN	TYP	MAX	UNIT
$L_{\text{trace}}$	Single-ended PCB trace length from the device pin to the connector pin			5	cm
$Z_{\text{trace}}$	Single-ended PCB trace characteristic impedance	45	50	55	Ω
$Z_{\text{con}}$	Connector (mounted) characteristic impedance	40	50	60	Ω
RL	Return Loss, S11	$\frac{1}{2} f_{\text{BCC}} < f < 0.1 \text{ GHz}$		-25	dB
		$0.1 \text{ GHz} < f < 1 \text{ GHz}$ (f in GHz)		$-26.4 + 14.4f$	dB
		$1 \text{ GHz} < f < f_{\text{FC}}$		-12	dB
IL	Insertion Loss, S12	$f < 0.5 \text{ GHz}$		-0.35	dB
		$f = 1 \text{ GHz}$		-0.6	dB
		$f = 2.1 \text{ GHz}$		-1.2	dB

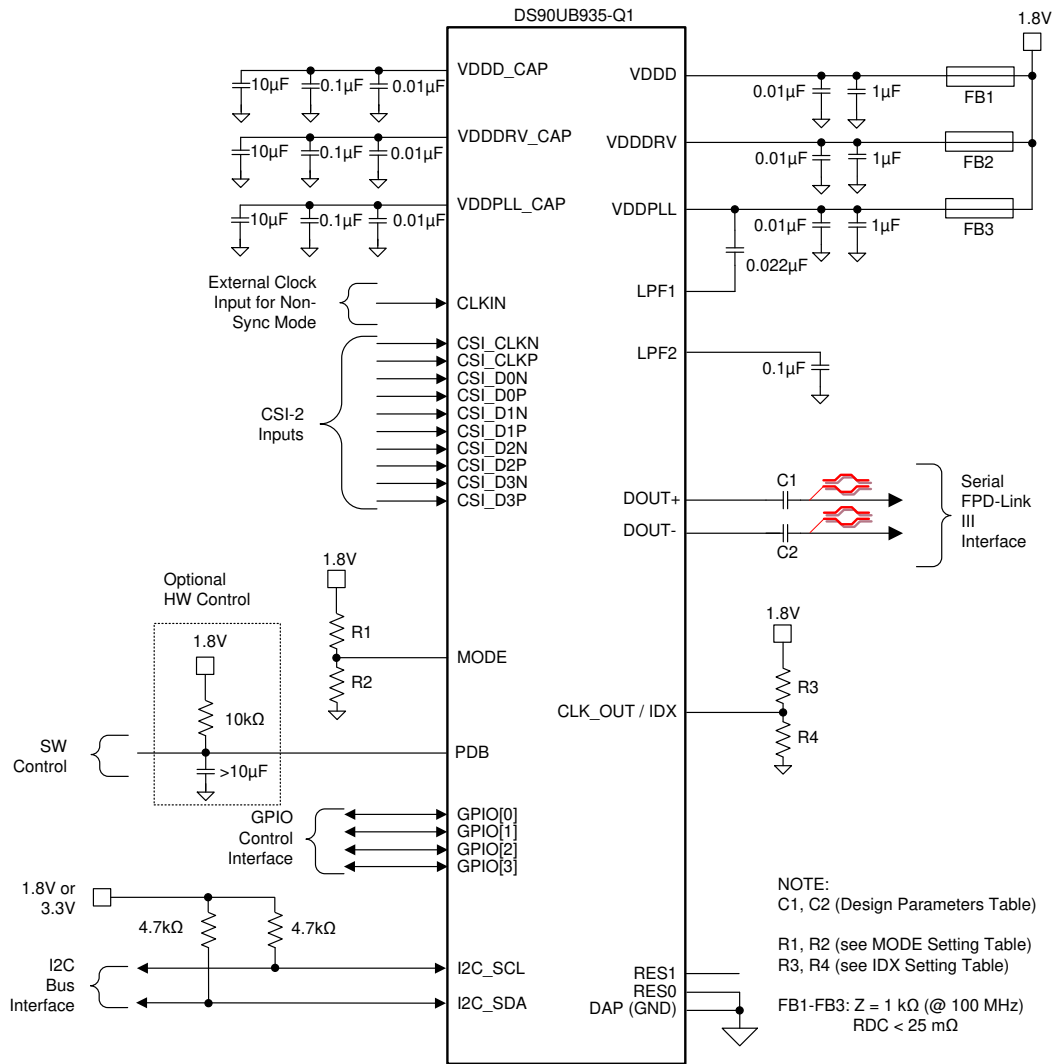
The  $V_{\text{POC}}$  fluctuations on the serializer side, caused by the transient current draw of the sensor, the DC resistance of cables, and PoC components, must be kept to a minimum as well. Increasing the  $V_{\text{POC}}$  voltage and adding extra decoupling capacitance ( $> 10 \mu\text{F}$ ) help reduce the amplitude and slew rate of the  $V_{\text{POC}}$  fluctuations.

## 8.2 Typical Applications



Copyright © 2018, Texas Instruments Incorporated

**Figure 8-3. Typical Connection Diagram Coaxial**



Copyright © 2018, Texas Instruments Incorporated

**Figure 8-4. Typical Connection Diagram STP**

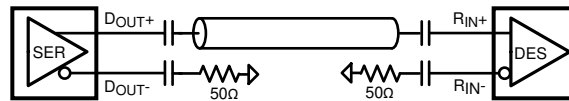
## 8.2.1 Design Requirements

For a typical design application, use the parameters listed in [Table 8-3](#).

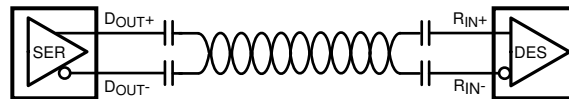
**Table 8-3. Design Parameters**

DESIGN PARAMETER	PIN(S)	VALUE
$V_{(VDD)}$	VDDD, VDDDRV, VDDPLL	1.8 V
AC-Coupling Capacitor for Synchronous Modes, Coaxial Connection	DOUT+	33nF – 100 nF (50 V / X7R / 0402)
	DOUT–	15nF – 47 nF (50 V / X7R / 0402)
AC-Coupling Capacitor for Synchronous Modes, STP Connection	DOUT+, DOUT–	33 – 100 nF (50 V / X7R / 0402)
AC-Coupling Capacitor for Non-Synchronous and DVP Backwards Compatible Modes, Coaxial Connection	DOUT+	100 nF (50 V / X7R / 0402)
	DOUT–	47 nF (50 V / X7R / 0402)
AC-Coupling Capacitor for Non-Synchronous and DVP Backwards Compatible Modes, STP Connection	DOUT+, DOUT–	100 nF (50 V / X7R / 0402)

The SER/DES only supports AC-coupled interconnects through an integrated DC-balanced decoding scheme. External AC-coupling capacitors must be placed in series in the FPD-Link III signal path as shown in [Figure 8-5](#) and [Figure 8-6](#). For applications using single-ended 50-Ω coaxial cable, terminate the unused data pins (DOUT+, DOUT–) with an AC-coupling capacitor and a 50-Ω resistor.



**Figure 8-5. AC-Coupled Connection (Coaxial)**



**Figure 8-6. AC-Coupled Connection (STP)**

For high-speed FPD-Link III transmissions, use the smallest available package for the AC-coupling capacitor to help minimize degradation of signal quality due to package parasitics.

## 8.2.2 Detailed Design Procedure

[Section 8.2](#) [Figure 8-3](#) shows a typical application circuit of the DS90UB935-Q1. The next sections highlight recommendations for the critical device pins.

### 8.2.2.1 CSI-2 Interface

The CSI-2 input port on the DS90UB935-Q1 is compliant with the MIPI D-PHY v1.2 and CSI-2 v1.3 specifications. The CSI-2 interface consists of a clock and an option of one, two, or four data lanes. The clock and each of the data lanes are differential lines. The DS90UB935-Q1 CSI-2 input must be DC-coupled to a compatible CSI-2 transmitter. Follow the PCB layout guidelines given in [Section 10.1.1](#).

### 8.2.2.2 FPD-Link III Input / Output

The DS90UB935-Q1 serial data out signal operates at different data rates depending upon the mode in which the device is operating. In synchronous mode, where the reference clock is provided by the deserializer, the serial data rate is up to 3.16 Gbps.

The signals at DOUT+ and DOUT– must be AC-coupled. The AC-coupling capacitor values used on DOUT+ and DOUT– depends on the mode and cable used as shown in [Table 8-3](#). When connecting to a coax cable, the AC-coupling capacitor on the negative terminal (DOUT–) should be approximately ½ of the AC-coupling capacitor value on DOUT+ and be terminated to a 50-Ω load. Make sure to follow the critical PCB layout guidelines given in [Section 10.2](#).

### 8.2.2.3 Internal Regulator Bypassing

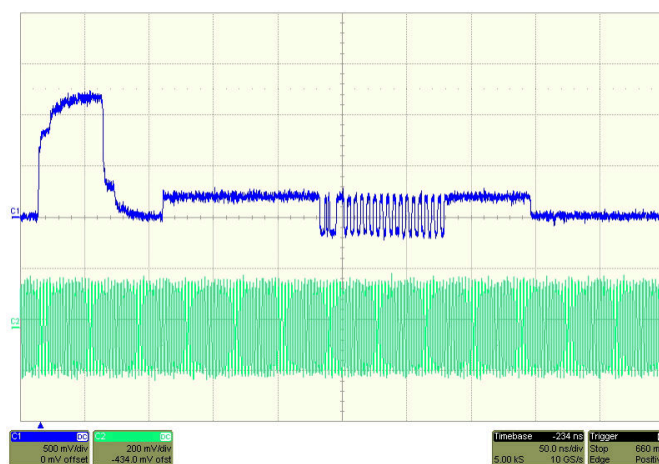
The DS90UB935-Q1 features three internal regulators that must be bypassed to GND. The VDDD\_CAP, VDDDRV\_CAP, and VDDPLL\_CAP are the pins that expose the outputs of the internal regulators for bypassing. TI recommends that each pin has a 10-μF, 0.1-μF, and a 0.01-μF capacitor to GND. The 0.01-μF caps must be placed as close as practical to the bypass pins.

### 8.2.2.4 Loop Filter Decoupling

The LPF1 and LPF2 pins are for connecting filter capacitors to the internal PLL circuits. LPF1 should have a 0.022-μF capacitor connected to the VDD\_PLL pin (pin 11). The capacitor connected between LPF1 and VDDPLL must enclose as small of a loop as possible. LPF2 must have a 0.1-μF capacitor connecting the pin to GND. One of these PLLs generates the high-speed clock used in the serialization of the output, while the other PLL is used in the CSI-2 receive port. Noise coupled into these pins degrades the performance of the PLLs in the DS90UB935-Q1, so the caps must be placed close to the pins they are connected to, and the area of the loop enclosed must be minimized.

### 8.2.3 Application Curve

The falling edge of the blue trace indicates that the device should shift from LP to HS mode – the rise that comes about one division later is when the DS90UB935-Q1 turns on the internal termination so the device is ready to receive HS data. The transitions are the CSI-2 data, and then the drop of the blue trace indicates that the termination has been turned off.



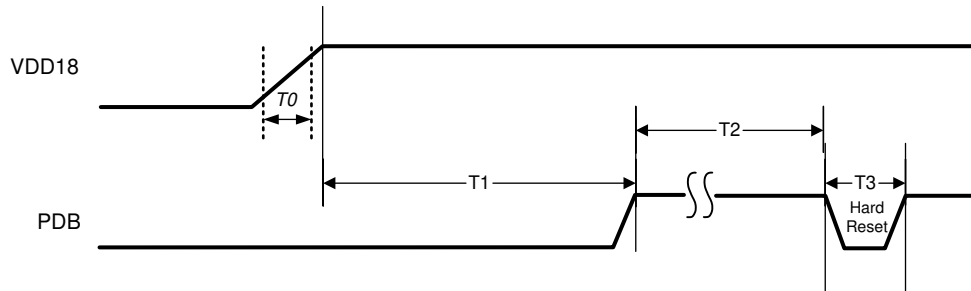
**Figure 8-7. CSI-2 LP to HS Mode Transition**

## 9 Power Supply Recommendations

This device provides separate power and ground pins for different portions of the circuit. This is done to isolate switching noise effects between different sections of the circuit. Separate planes on the PCB are typically not required. The [Section 5](#) section provides guidance on which circuit blocks are connected to which power pin pairs. In some cases, an external filter may be used to provide clean power to sensitive circuits such as PLLs.

### 9.1 Power-Up Sequencing

The power-up sequence for the DS90UB935-Q1 is as follows:



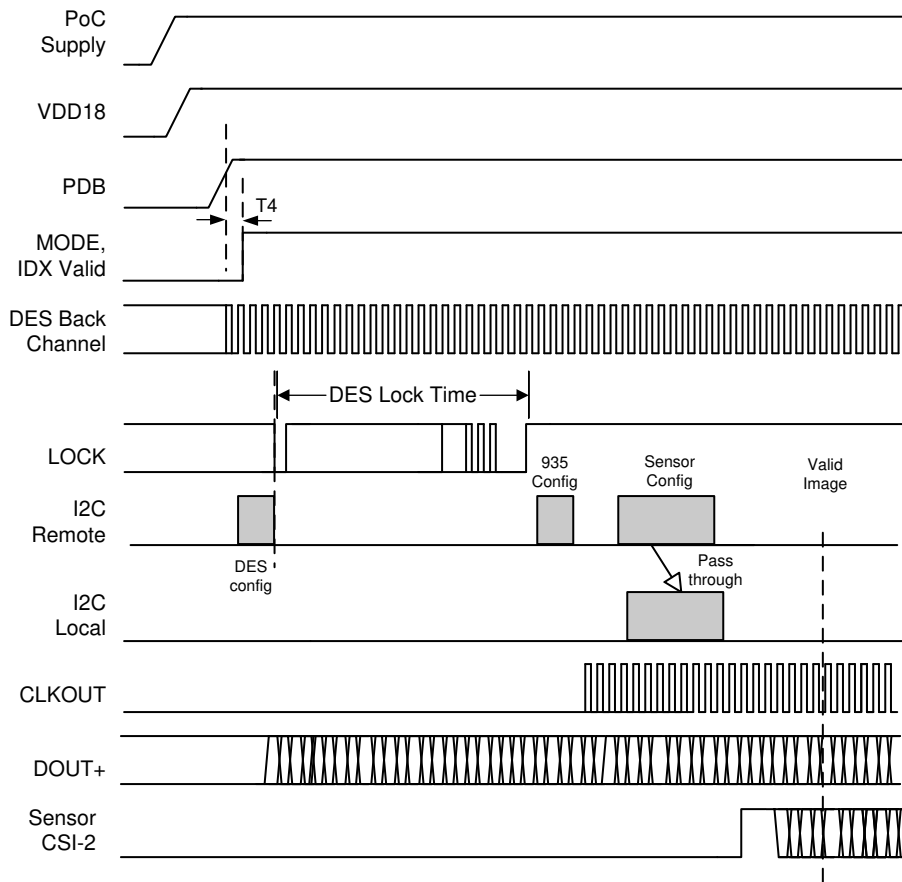
**Figure 9-1. Power Supply Sequencing**

**Table 9-1. Timing Diagram for the Power Supply Start-Up and Initialization Sequences**

PARAMETER	MIN	TYP	MAX	UNIT	NOTES
T0	VDD18 rise time	0.05		ms	at 10/90%
T1	VDD18 to PDB	0		ms	After VDD18 is stable
T2	PDB high time before PDB hard reset	1		ms	
T3	PDB high to low pulse width	3		ms	Hard reset
T4	PDB to I2C Ready	2		ms	See <a href="#">Figure 9-2</a>

#### 9.1.1 System Initialization

When initializing the communications link between a deserializer hub and a DS90UB935-Q1 serializer, the system timing will depend on the mode selected for generating the serializer reference clock. When synchronous clocking mode is selected, the serializer will relock onto the extracted back channel reference clock when available, so there is no need for local crystal oscillator at the sensor module. The initialization sequence follows the illustration given in [Figure 9-2](#).



**Figure 9-2. Initialization Sequence: Synchronous Clocking Mode**

## 9.2 Power Down (PDB)

The Serializer has a PDB input pin to ENABLE or POWER DOWN the device. This pin may be controlled by an external device, or through VDD where  $VDD = 1.71\text{ V}$  to  $1.89\text{ V}$ . PDB should be brought high after all power supplies on the board have stabilized.

When PDB is driven low, ensure that the pin is driven to  $0\text{ V}$  for at least  $3\text{ ms}$  before releasing or driving high. In the case where PDB is pulled up to VDD directly, a  $10\text{-k}\Omega$  pullup resistor and a  $> 1\text{-}\mu\text{F}$  capacitor to ground are required.

toggling PDB low powers down the device and resets all control registers to default. After power up, if there are any errors seen, TI recommends clearing the registers to reset the errors.

Make sure to power up the VDDDRV before or at the same time as the VDDPLL.



## 10 Layout

### 10.1 Layout Guidelines

Circuit board layout and stack-up for the FPD-Link III devices must be designed to provide low-noise power feed to the device. Good layout practice also separates high-frequency or high-level inputs and outputs to minimize unwanted stray noise pickup, feedback, and interference. External bypassing should be low-ESR ceramic capacitors with high-quality dielectric. The voltage rating of the ceramic capacitors must be at least 2× the power supply voltage being used.

TI recommends surface-mount capacitors due to their smaller parasitics. When using multiple capacitors per supply pin, place the smaller value closest to the pin. A large bulk capacitor is recommended at the point of power entry. This is typically in the 47- $\mu$ F to 100- $\mu$ F range, which smooths low-frequency switching noise. TI recommends connecting power and ground pins directly to the power and ground planes with bypass capacitors connected to the plane. TI also recommends that the user place a via on both ends of the capacitors. Connecting power or ground pins to an external bypass capacitor increases the inductance of the path.

A small body size X7R chip capacitor, such as 0603 or 0402, is recommended for external bypass. The small body size reduces the parasitic inductance of the capacitor. The user must pay attention to the resonance frequency of these external bypass capacitors, usually in the range of 20 to 30 MHz. To provide effective bypassing, multiple capacitors are often used to achieve low impedance between the supply rails over the frequency of interest. At high frequency, it is also common practice to use two vias from power and ground pins to the planes, reducing the impedance at high frequency.

Some devices provide separate power and ground pins for different portions of the circuit. This is done to isolate switching noise effects between different sections of the circuit. Separate planes on the PCB are typically not required. Pin description tables typically provide guidance on which circuit blocks are connected to which power pin pairs (see [Section 5](#) for more information). In some cases, an external filter may be used to provide clean power to sensitive circuits such as PLLs.

Use at least a four-layer board with a dedicated ground plane. Place CSI-2 signals away from the single-ended or differential FPD-Link III RX input traces to prevent coupling from the CSI-2 lines to the Rx input lines. A single-ended impedance of 50  $\Omega$  is typically recommended for coaxial interconnect, and a differential impedance of 100  $\Omega$  is typically recommended for STP interconnect. The closely coupled lines help to ensure that coupled noise appears as common-mode and thus is rejected by the receivers. The tightly coupled lines also radiate less.

#### 10.1.1 CSI-2 Guidelines

1. Route CSI0\_D\*P/N pairs with controlled 100- $\Omega$  differential impedance ( $\pm 20\%$ ) or 50- $\Omega$  single-ended impedance ( $\pm 15\%$ ).
2. Keep away from other high-speed signals.
3. Keep the length difference between a differential pair to 5 mils or less.
4. Make sure that length matching is near the location of mismatch.
5. Match trace lengths between the clock pair and each data pair to be < 25 mils.
6. Separate each pair by at least 3 times the signal trace width.
7. Keep the use of bends in differential traces to a minimum. When bends are used, the number of left and right bends must be as equal as possible, and the angle of the bend should be  $\geq 135$  degrees. This arrangement minimizes any length mismatch caused by the bends and therefore minimizes the impact that bends have on EMI.
8. Route all differential pairs on the same layer to help match trace impedance characteristics.
9. Keep the number of VIAS to a minimum—TI recommends keeping the VIA count to two or fewer.
10. Keep traces on layers adjacent to ground plane.
11. Do NOT route differential pairs over any plane split.

### Note

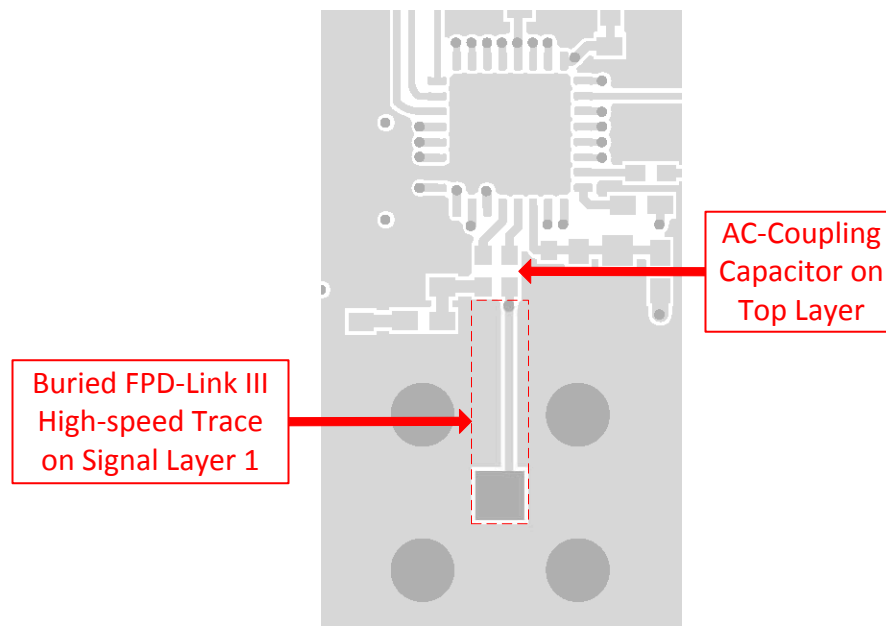
Adding test points can cause impedance discontinuity and therefore negatively impacts signal performance. If test points are used, place them in series and symmetrically. Test points must not be placed in a manner that causes a stub on the differential pair.

## 10.2 Layout Examples

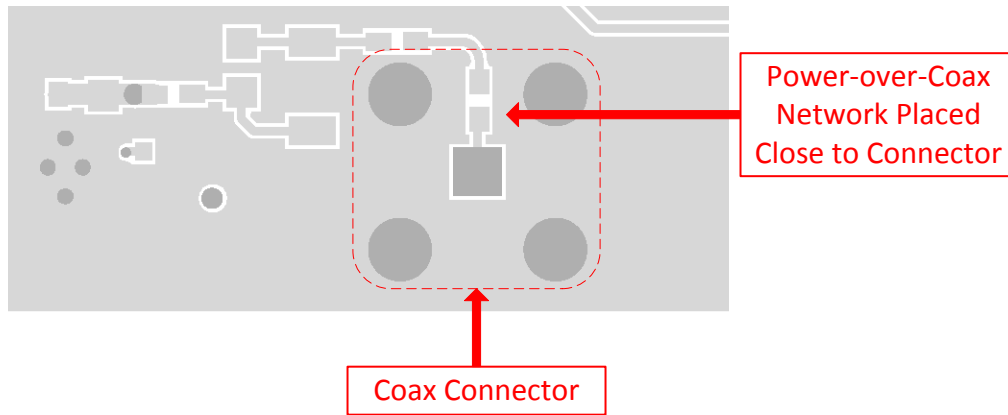
The board layout for the DS90UB953-Q1EVM is shown in [Figure 10-1](#) and [Figure 10-2](#). All EVM layers are included in [DS90UB953-Q1EVM user's guide](#) (SNLU224).

Routing the FPD-Link III signal traces between the DOUT pins and the connector, as well as connecting the PoC filter to these traces, are the most critical pieces of a successful DS90UB935-Q1 PCB layout. The following list provides essential recommendations for routing the FPD-Link III signal traces between the driver output pins and the FAKRA connector, as well as connecting the PoC filter.

- The routing of the FPD-Link III traces may be all on the top layer or partially embedded in middle layers if EMI is a concern.
- The AC-coupling capacitors should be on the top layer and very close to the receiver input pins to minimize the length of coupled differential trace pair between the pins and the capacitors.
- Route the DOUT+ trace between the AC-coupling capacitor and the FAKRA connector as a 50- $\Omega$  single-ended micro-strip with tight impedance control ( $\pm 10\%$ ). Calculate the proper width of the trace for a 50- $\Omega$  impedance based on the PCB stack-up. Ensure that the trace can carry the PoC current for the maximum load presented by the remote sensor module.
- The PoC filter should be connected to the DOUT+ trace through the ferrite bead or an RF inductor. The ferrite bead should be touching the high-speed trace to minimize the stub length seen by the transmission line. Create an anti-pad or a moat under the ferrite bead pad that touches the trace. The anti-pad should be a plane cutout of the ground plane directly underneath the top layer without cutting out the ground reference under the trace. The purpose of the anti-pad is to maintain the impedance as close to 50  $\Omega$  as possible.
- When routing DOUT+ on inner layers, length matching for single-ended traces does not provide a significant benefit. If the user wants to route the DOUT+ on the top or bottom layer, route the DOUT– trace loosely coupled to the DOUT+ trace for the length similar to the DOUT+ trace length. This may help the differential nature of the receiver to cancel out any common-mode noise that may be present in the environment that may couple on to the signal traces.



**Figure 10-1. DS90UB935-Q1 Serializer DOUT+ Trace Layout**



**Figure 10-2. DS90UB935-Q1 Power-over-Coax Layout**

## 11 Device and Documentation Support

### 11.1 Device Support

#### 11.1.1 Development Support

For development support, see the following:

[DS90UB935-Q1](#)

### 11.2 Documentation Support

#### 11.2.1 Related Documentation

For related documentation see the following:

- [How to design a FPD-Link III system](#) (SNLA267)
- [I2C communication over FPD-Link III with bidirectional control channel](#) (SNLA131)
- [I2C bus pullup resistor calculation](#) (SLVA689)
- [FPD-Link learning center training material](#)
- [An EMC/EMI system-design and testing methodology for FPD-Link III SerDes](#) (SLYT719)
- [Ten tips for successfully designing with automotive EMC/EMI requirements](#) (SLYT636)
- [Backwards compatibility modes for operation with parallel output deserializers](#) (SNLA270)
- [Power-over-Coax design guidelines](#) (SNLA272)
- [Schematic and layout checklist](#) (SNLA271)
- [AN-1108 Channel-link PCB and interconnect design-in guidelines](#) (SNLA008)
- [DS90UB953-Q1EVM user's guide](#) (SNLU224)

#### 11.3 Receiving Notification of Documentation Updates

To receive notification of documentation updates, navigate to the device product folder on ti.com. In the upper right corner, click on *Alert me* to register and receive a weekly digest of any product information that has changed. For change details, review the revision history included in any revised document.

#### 11.4 Support Resources

[TI E2E™ support forums](#) are an engineer's go-to source for fast, verified answers and design help — straight from the experts. Search existing answers or ask your own question to get the quick design help you need.

Linked content is provided "AS IS" by the respective contributors. They do not constitute TI specifications and do not necessarily reflect TI's views; see TI's [Terms of Use](#).

#### 11.5 Trademarks

TI E2E™ is a trademark of Texas Instruments.

All other trademarks are the property of their respective owners.

#### 11.6 Electrostatic Discharge Caution



This integrated circuit can be damaged by ESD. Texas Instruments recommends that all integrated circuits be handled with appropriate precautions. Failure to observe proper handling and installation procedures can cause damage.

ESD damage can range from subtle performance degradation to complete device failure. Precision integrated circuits may be more susceptible to damage because very small parametric changes could cause the device not to meet its published specifications.

#### 11.7 Glossary

[TI Glossary](#) This glossary lists and explains terms, acronyms, and definitions.

## 12 Mechanical, Packaging, and Orderable Information

The following pages include mechanical, packaging, and orderable information. This information is the most current data available for the designated devices. This data is subject to change without notice and revision of this document. For browser-based versions of this data sheet, refer to the left-hand navigation.

**PACKAGING INFORMATION**

Orderable Device	Status (1)	Package Type	Package Drawing	Pins	Package Qty	Eco Plan (2)	Lead finish/ Ball material (6)	MSL Peak Temp (3)	Op Temp (°C)	Device Marking (4/5)	Samples
DS90UB935TRHBRQ1	ACTIVE	VQFN	RHB	32	3000	RoHS & Green	NIPDAU   SN	Level-3-260C-168 HR	-40 to 105	UB935	<a href="#">Samples</a>
DS90UB935TRHBTQ1	ACTIVE	VQFN	RHB	32	250	RoHS & Green	NIPDAU   SN	Level-3-260C-168 HR	-40 to 105	UB935	<a href="#">Samples</a>

(1) The marketing status values are defined as follows:

**ACTIVE:** Product device recommended for new designs.

**LIFEBUY:** TI has announced that the device will be discontinued, and a lifetime-buy period is in effect.

**NRND:** Not recommended for new designs. Device is in production to support existing customers, but TI does not recommend using this part in a new design.

**PREVIEW:** Device has been announced but is not in production. Samples may or may not be available.

**OBSELETE:** TI has discontinued the production of the device.

(2) **RoHS:** TI defines "RoHS" to mean semiconductor products that are compliant with the current EU RoHS requirements for all 10 RoHS substances, including the requirement that RoHS substance do not exceed 0.1% by weight in homogeneous materials. Where designed to be soldered at high temperatures, "RoHS" products are suitable for use in specified lead-free processes. TI may reference these types of products as "Pb-Free".

**RoHS Exempt:** TI defines "RoHS Exempt" to mean products that contain lead but are compliant with EU RoHS pursuant to a specific EU RoHS exemption.

**Green:** TI defines "Green" to mean the content of Chlorine (Cl) and Bromine (Br) based flame retardants meet JS709B low halogen requirements of <=1000ppm threshold. Antimony trioxide based flame retardants must also meet the <=1000ppm threshold requirement.

(3) MSL, Peak Temp. - The Moisture Sensitivity Level rating according to the JEDEC industry standard classifications, and peak solder temperature.

(4) There may be additional marking, which relates to the logo, the lot trace code information, or the environmental category on the device.

(5) Multiple Device Markings will be inside parentheses. Only one Device Marking contained in parentheses and separated by a "~" will appear on a device. If a line is indented then it is a continuation of the previous line and the two combined represent the entire Device Marking for that device.

(6) Lead finish/Ball material - Orderable Devices may have multiple material finish options. Finish options are separated by a vertical ruled line. Lead finish/Ball material values may wrap to two lines if the finish value exceeds the maximum column width.

**Important Information and Disclaimer:**The information provided on this page represents TI's knowledge and belief as of the date that it is provided. TI bases its knowledge and belief on information provided by third parties, and makes no representation or warranty as to the accuracy of such information. Efforts are underway to better integrate information from third parties. TI has taken and continues to take reasonable steps to provide representative and accurate information but may not have conducted destructive testing or chemical analysis on incoming materials and chemicals. TI and TI suppliers consider certain information to be proprietary, and thus CAS numbers and other limited information may not be available for release.

In no event shall TI's liability arising out of such information exceed the total purchase price of the TI part(s) at issue in this document sold by TI to Customer on an annual basis.



**TAPE AND REEL INFORMATION**

**QUADRANT ASSIGNMENTS FOR PIN 1 ORIENTATION IN TAPE**


\*All dimensions are nominal

Device	Package Type	Package Drawing	Pins	SPQ	Reel Diameter (mm)	Reel Width W1 (mm)	A0 (mm)	B0 (mm)	K0 (mm)	P1 (mm)	W (mm)	Pin1 Quadrant
DS90UB935TRHBRQ1	VQFN	RHB	32	3000	330.0	12.4	5.3	5.3	1.1	8.0	12.0	Q2
DS90UB935TRHBTQ1	VQFN	RHB	32	250	180.0	12.4	5.3	5.3	1.1	8.0	12.0	Q2



**TAPE AND REEL BOX DIMENSIONS**


\*All dimensions are nominal

Device	Package Type	Package Drawing	Pins	SPQ	Length (mm)	Width (mm)	Height (mm)
DS90UB935TRHBRQ1	VQFN	RHB	32	3000	367.0	367.0	35.0
DS90UB935TRHBTQ1	VQFN	RHB	32	250	210.0	185.0	35.0

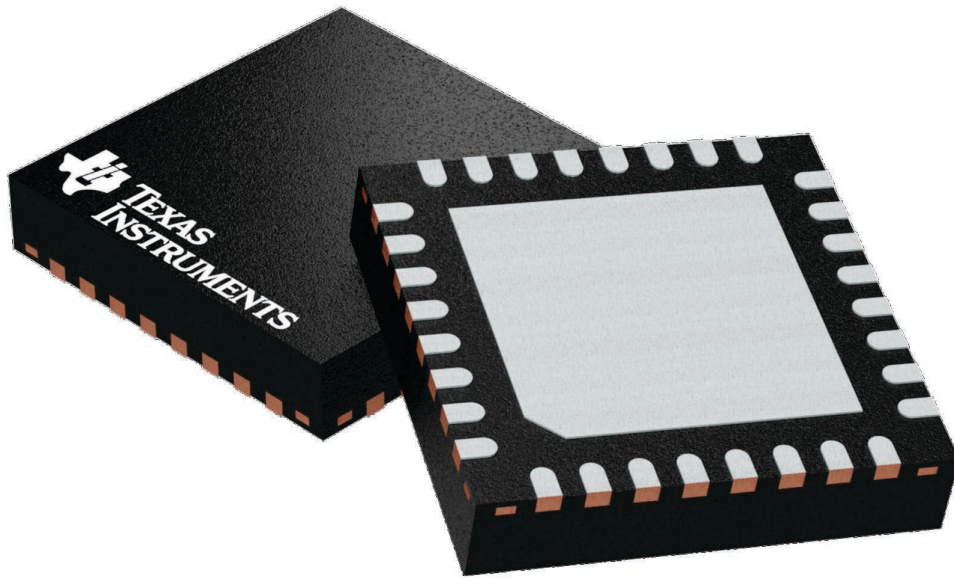
## GENERIC PACKAGE VIEW

**RHB 32**

**VQFN - 1 mm max height**

5 x 5, 0.5 mm pitch

PLASTIC QUAD FLATPACK - NO LEAD



Images above are just a representation of the package family, actual package may vary.  
Refer to the product data sheet for package details.

4224745/A

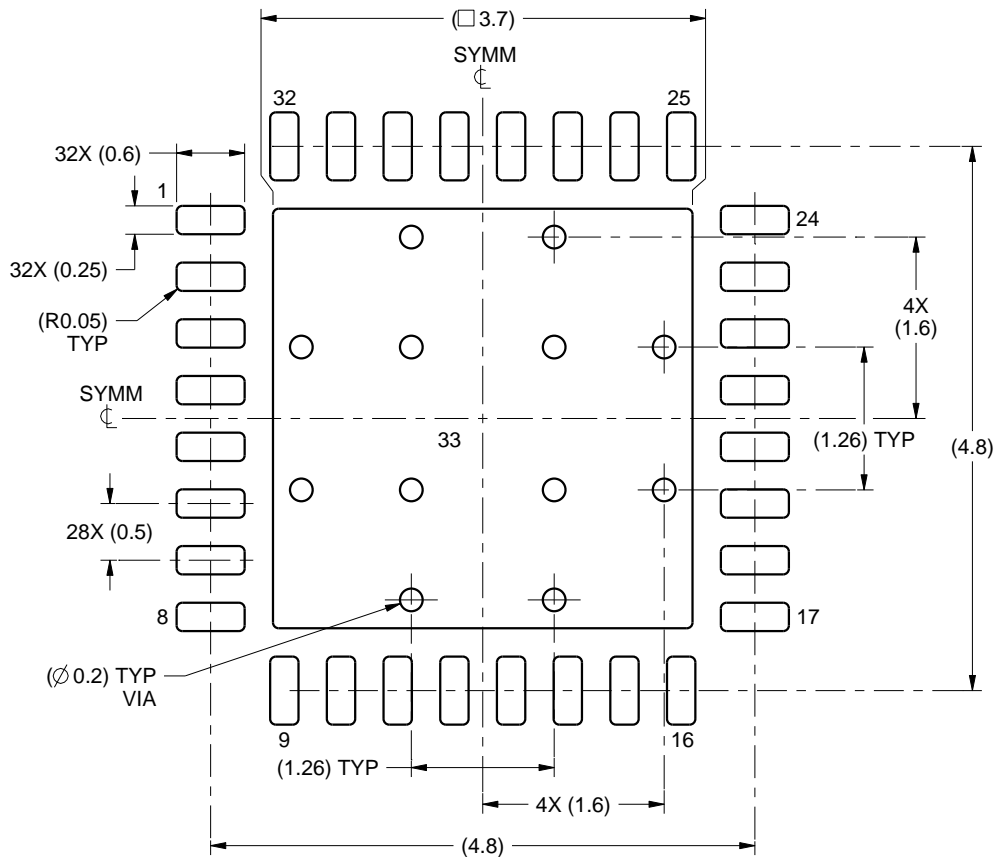


# EXAMPLE BOARD LAYOUT

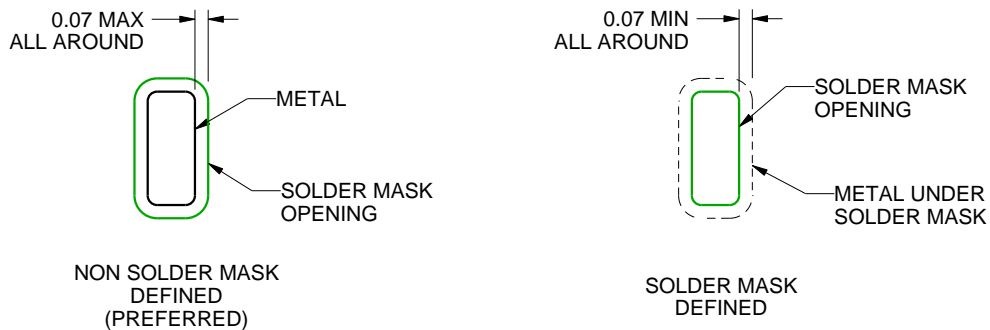
RHB0032P

VQFN - 1 mm max height

PLASTIC QUAD FLATPACK - NO LEAD



LAND PATTERN EXAMPLE  
SCALE:15X



SOLDER MASK DETAILS

4223198/A 08/2016

NOTES: (continued)

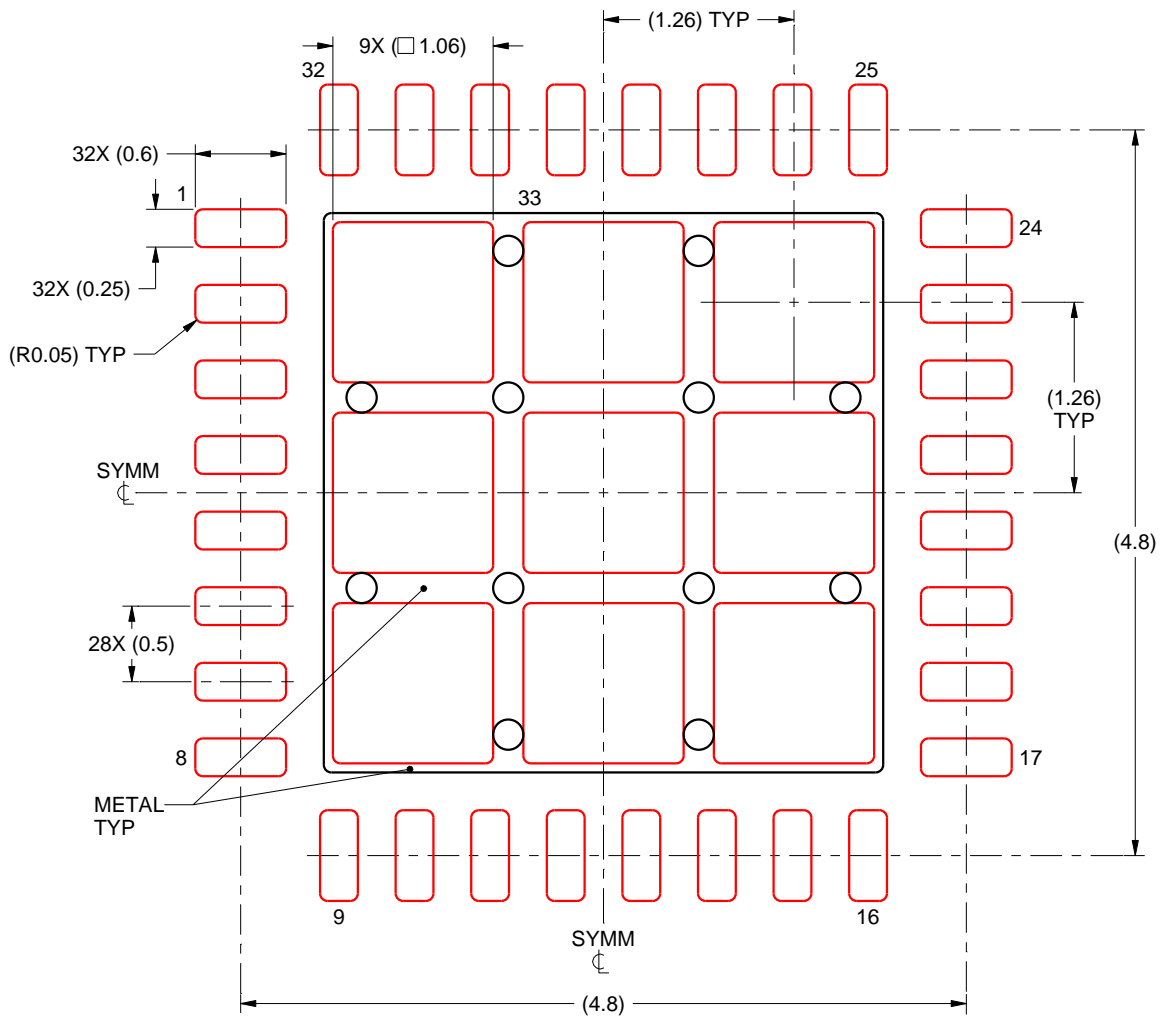
- This package is designed to be soldered to a thermal pad on the board. For more information, see Texas Instruments literature number SLUA271 ([www.ti.com/lit/sluea271](http://www.ti.com/lit/sluea271)).
- Vias are optional depending on application, refer to device data sheet. If any vias are implemented, refer to their locations shown on this view. It is recommended that vias under paste be filled, plugged or tented.

# EXAMPLE STENCIL DESIGN

RHB0032P

VQFN - 1 mm max height

PLASTIC QUAD FLATPACK - NO LEAD



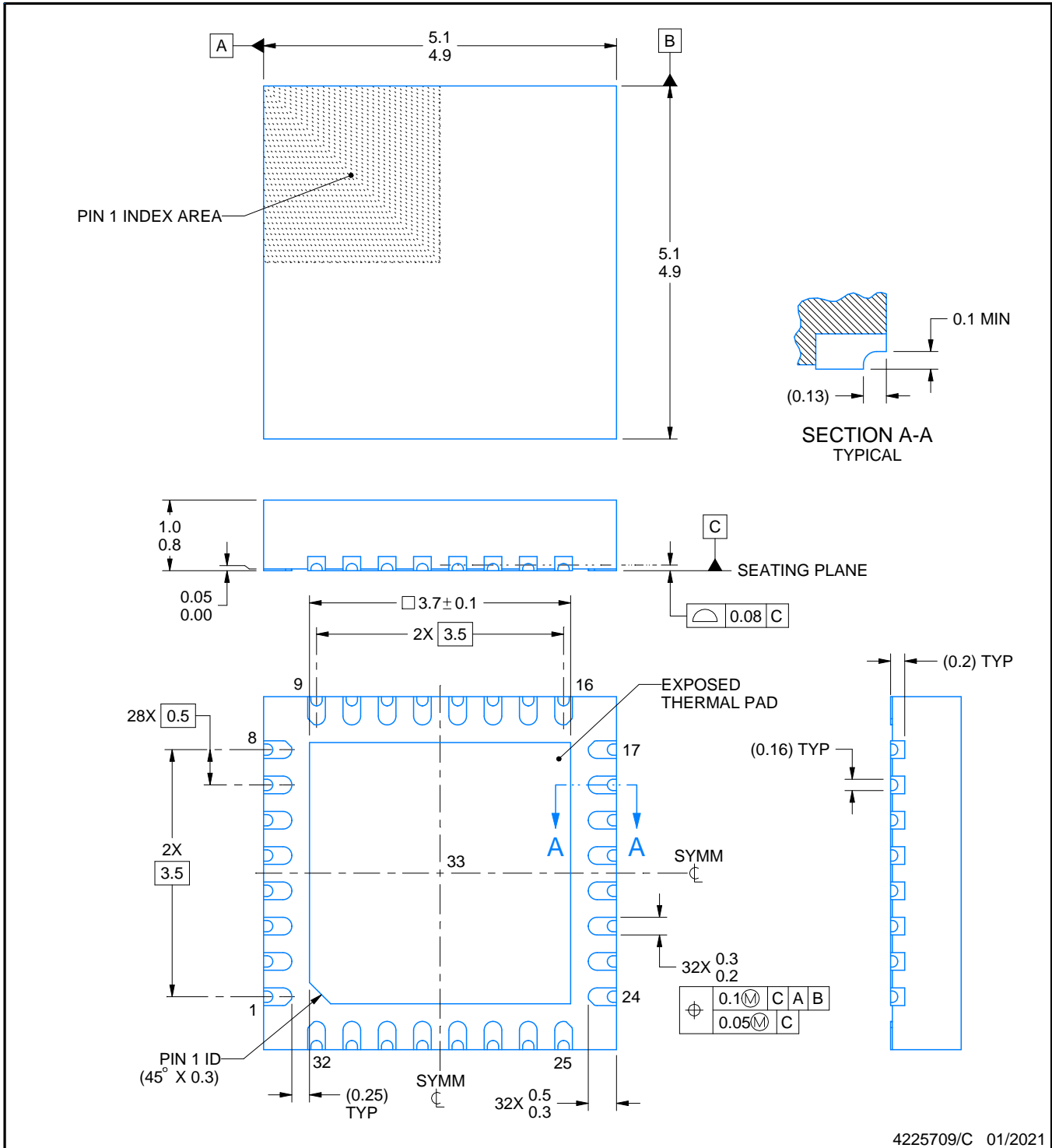
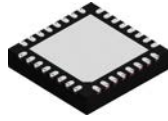
SOLDER PASTE EXAMPLE  
BASED ON 0.125 mm THICK STENCIL

EXPOSED PAD 33  
74% PRINTED SOLDER COVERAGE BY AREA UNDER PACKAGE  
SCALE:20X

4223198/A 08/2016

NOTES: (continued)

6. Laser cutting apertures with trapezoidal walls and rounded corners may offer better paste release. IPC-7525 may have alternate design recommendations.



NOTES:

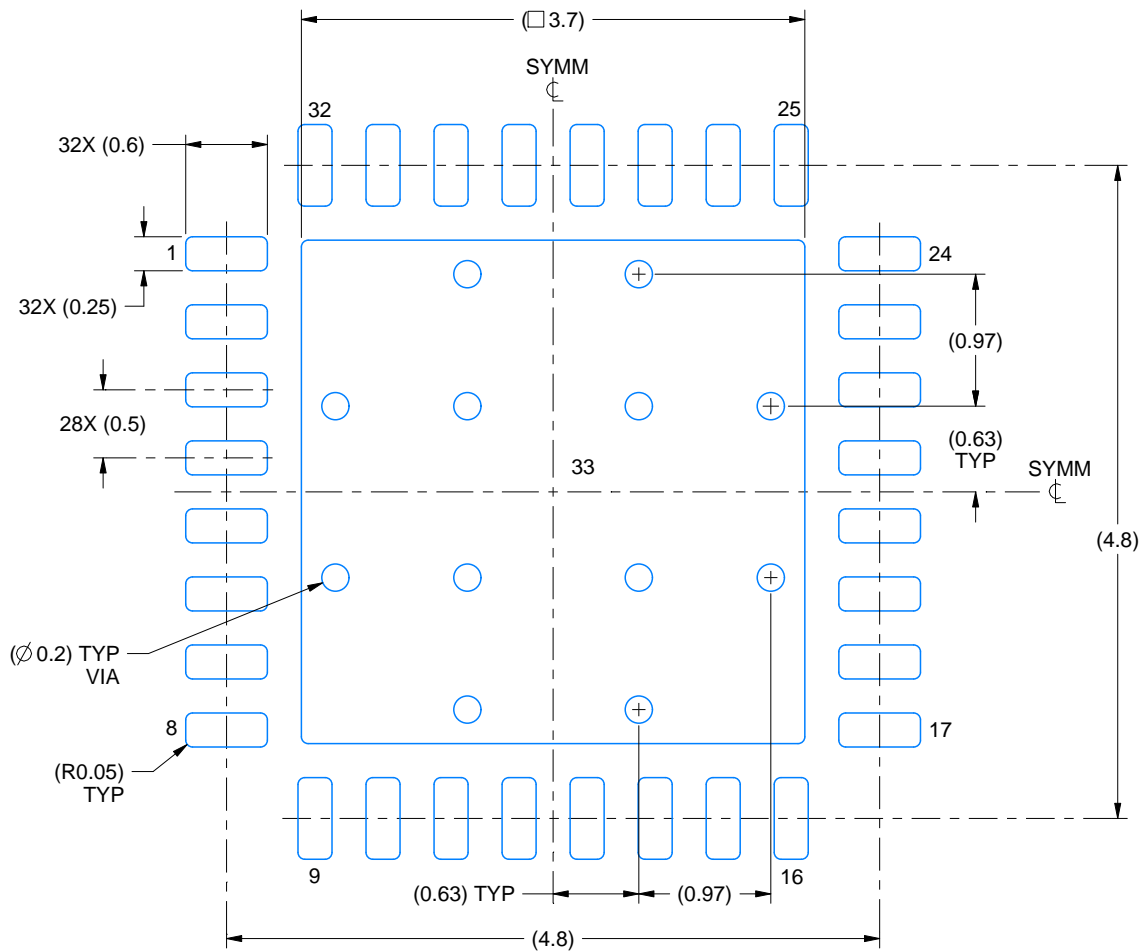
1. All linear dimensions are in millimeters. Any dimensions in parenthesis are for reference only. Dimensioning and tolerancing per ASME Y14.5M.
2. This drawing is subject to change without notice.
3. The package thermal pad must be soldered to the printed circuit board for thermal and mechanical performance.

# EXAMPLE BOARD LAYOUT

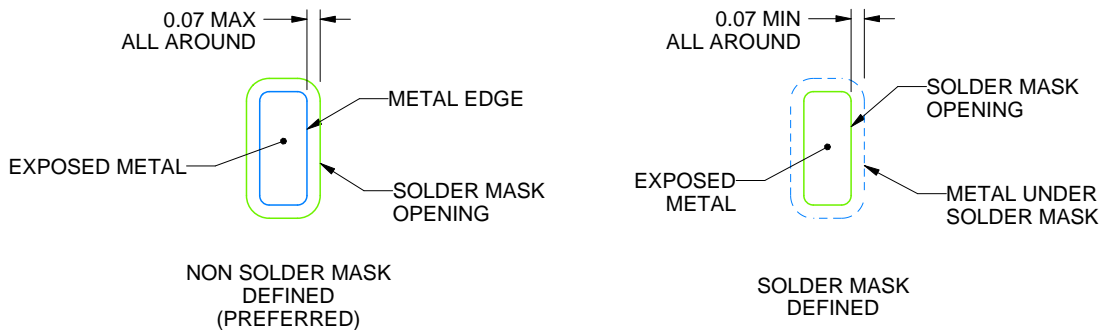
RHB0032U

VQFN - 1 mm max height

PLASTIC QUAD FLATPACK - NO LEAD



LAND PATTERN EXAMPLE  
EXPOSED METAL SHOWN  
SCALE:18X



SOLDER MASK DETAILS

4225709/C 01/2021

NOTES: (continued)

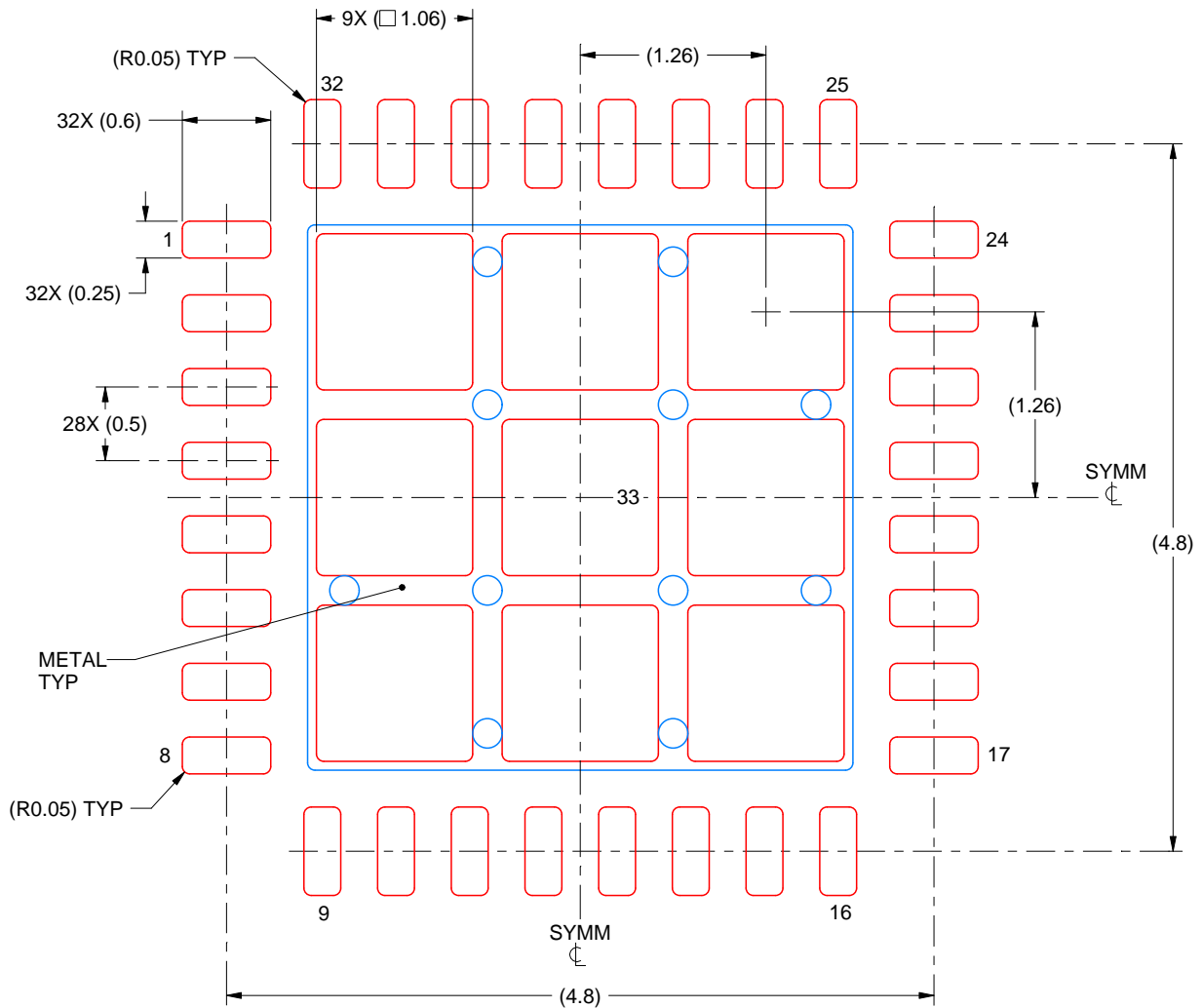
- This package is designed to be soldered to a thermal pad on the board. For more information, see Texas Instruments literature number SLUA271 ([www.ti.com/lit/slua271](http://www.ti.com/lit/slua271)).
- Vias are optional depending on application, refer to device data sheet. If any vias are implemented, refer to their locations shown on this view. It is recommended that vias under paste be filled, plugged or tented.

# EXAMPLE STENCIL DESIGN

RHB0032U

VQFN - 1 mm max height

PLASTIC QUAD FLATPACK - NO LEAD



**SOLDER PASTE EXAMPLE**  
 BASED ON 0.125 mm THICK STENCIL

EXPOSED PAD 33:  
 74% PRINTED SOLDER COVERAGE BY AREA UNDER PACKAGE  
 SCALE:20X

4225709/C 01/2021

NOTES: (continued)

6. Laser cutting apertures with trapezoidal walls and rounded corners may offer better paste release. IPC-7525 may have alternate design recommendations.



## IMPORTANT NOTICE AND DISCLAIMER

TI PROVIDES TECHNICAL AND RELIABILITY DATA (INCLUDING DATA SHEETS), DESIGN RESOURCES (INCLUDING REFERENCE DESIGNS), APPLICATION OR OTHER DESIGN ADVICE, WEB TOOLS, SAFETY INFORMATION, AND OTHER RESOURCES "AS IS" AND WITH ALL FAULTS, AND DISCLAIMS ALL WARRANTIES, EXPRESS AND IMPLIED, INCLUDING WITHOUT LIMITATION ANY IMPLIED WARRANTIES OF MERCHANTABILITY, FITNESS FOR A PARTICULAR PURPOSE OR NON-INFRINGEMENT OF THIRD PARTY INTELLECTUAL PROPERTY RIGHTS.

These resources are intended for skilled developers designing with TI products. You are solely responsible for (1) selecting the appropriate TI products for your application, (2) designing, validating and testing your application, and (3) ensuring your application meets applicable standards, and any other safety, security, regulatory or other requirements.

These resources are subject to change without notice. TI grants you permission to use these resources only for development of an application that uses the TI products described in the resource. Other reproduction and display of these resources is prohibited. No license is granted to any other TI intellectual property right or to any third party intellectual property right. TI disclaims responsibility for, and you will fully indemnify TI and its representatives against, any claims, damages, costs, losses, and liabilities arising out of your use of these resources.

TI's products are provided subject to [TI's Terms of Sale](#) or other applicable terms available either on [ti.com](http://ti.com) or provided in conjunction with such TI products. TI's provision of these resources does not expand or otherwise alter TI's applicable warranties or warranty disclaimers for TI products.

TI objects to and rejects any additional or different terms you may have proposed.

Mailing Address: Texas Instruments, Post Office Box 655303, Dallas, Texas 75265  
Copyright © 2022, Texas Instruments Incorporated